
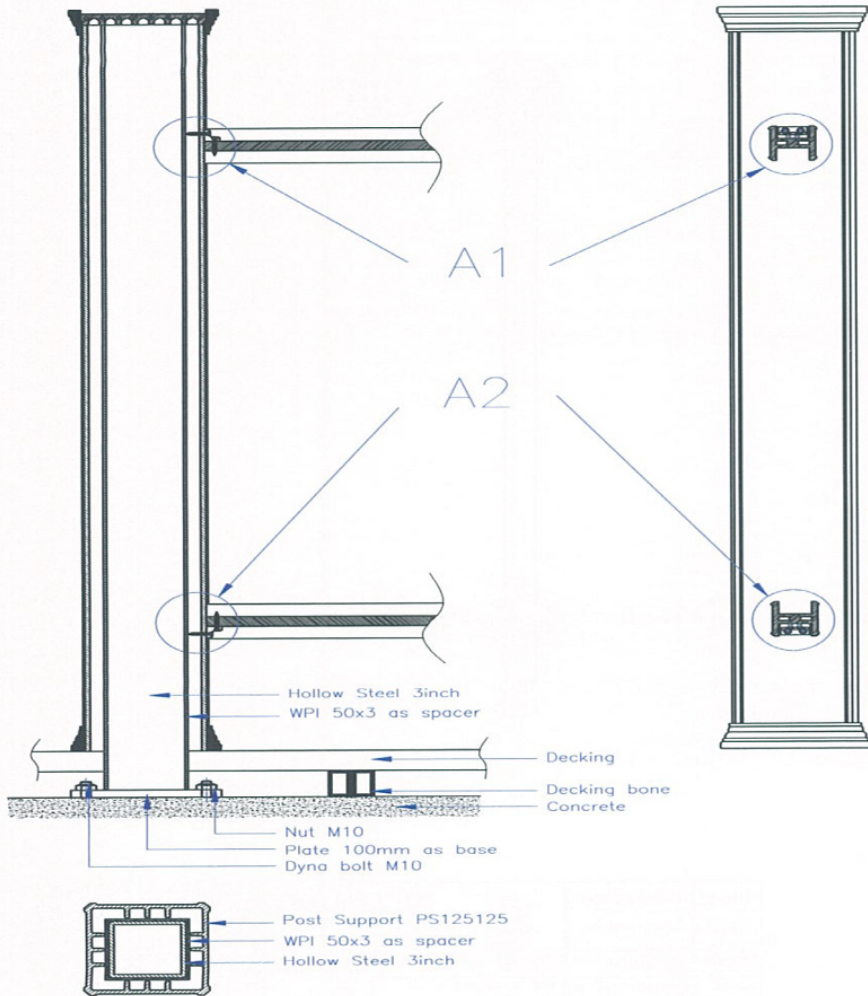


UNIT: MM	PROJECTION THIRD ANGLE	 PT. LATRADE BATAM INDONESIA			
DRAWN: RIFALDI	CLIENT: GRM	TITLE: RAILING SYSTEM		MODEL: INSTALLATION GUIDE	
DATE: 21/06/2016	NO OF CAVITY: -	EST.WT(KG): -		PART NO: -	
CHECKED:	TYPE OF M/C: -	SHRINKAGE: -		SCALE NTS	
DO NOT SCALE DWG				SHT 01 OF 04	

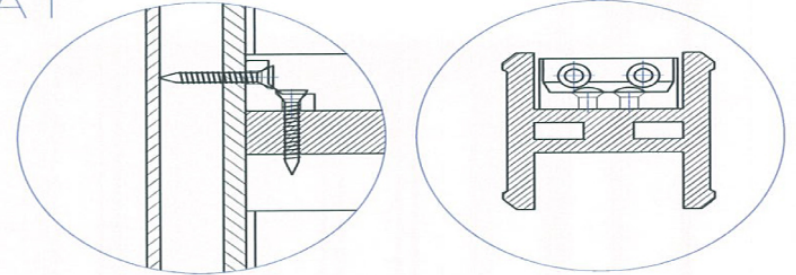
148

Drawing change without notice

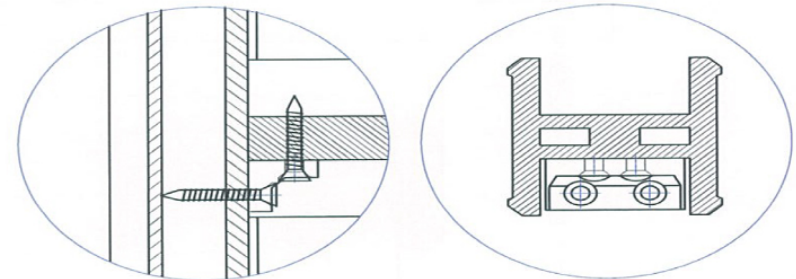
STRAIGHT RAILS




Detail A1



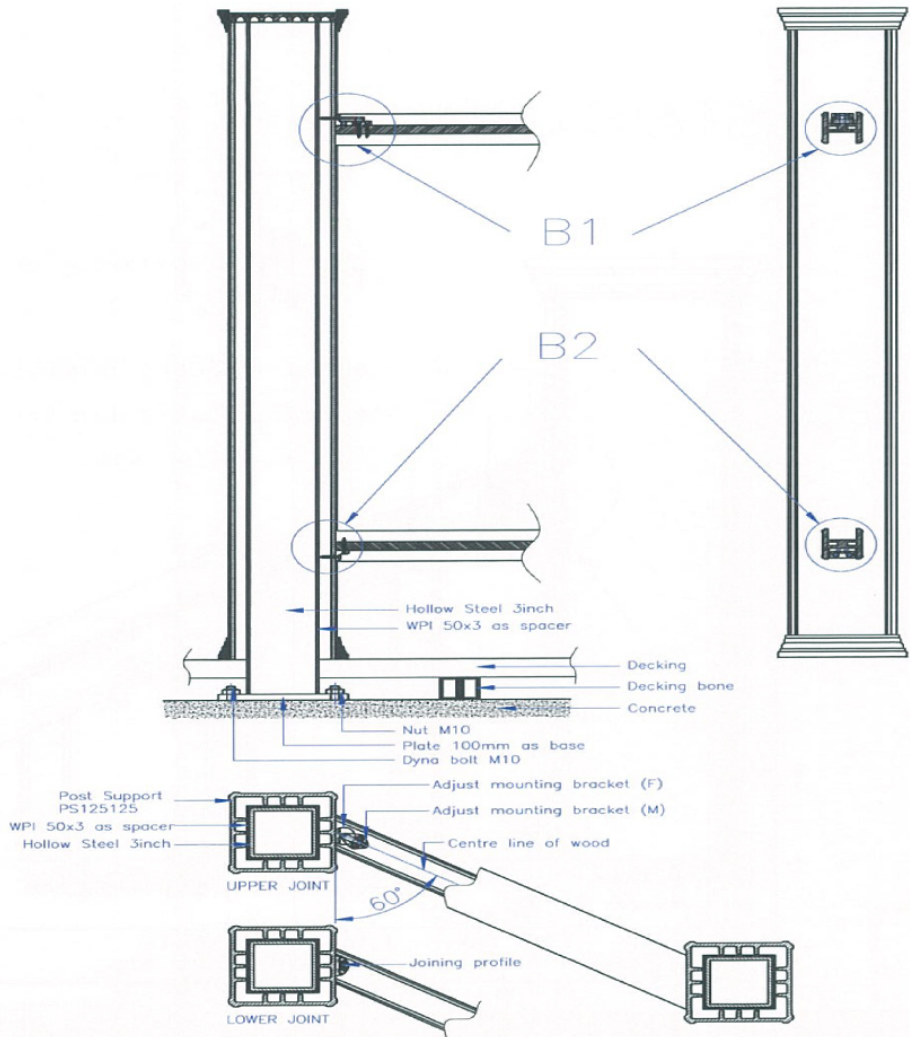
Detail A2



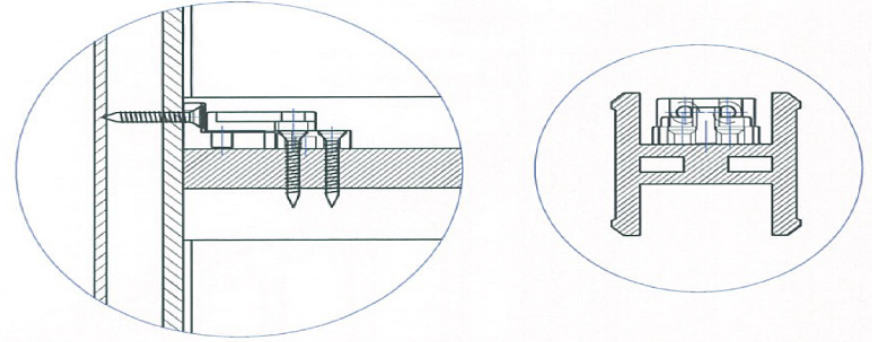
UNIT: MM	PROJECTION THIRD ANGLE	 PT. LATRADE BATAM INDONESIA			
DRAWN: RIFALDI	CLIENT: GRM	TITLE: RAILING SYSTEM		MODEL: INSTALLATION GUIDE	
DATE: 21/06/2016	NO OF CAVITY: -	MATERIAL: -		PART NO: -	
CHECKED:	EST.WT(KG): -	SHRINKAGE: -		SCALE NTS	
DO NOT SCALE DWG	TYPE OF M/C: -			SHT 02 OF 04	

Drawing change without notice

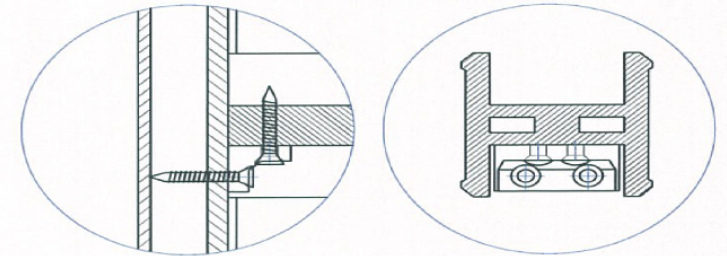
ANGLED RAILS




Detail B1

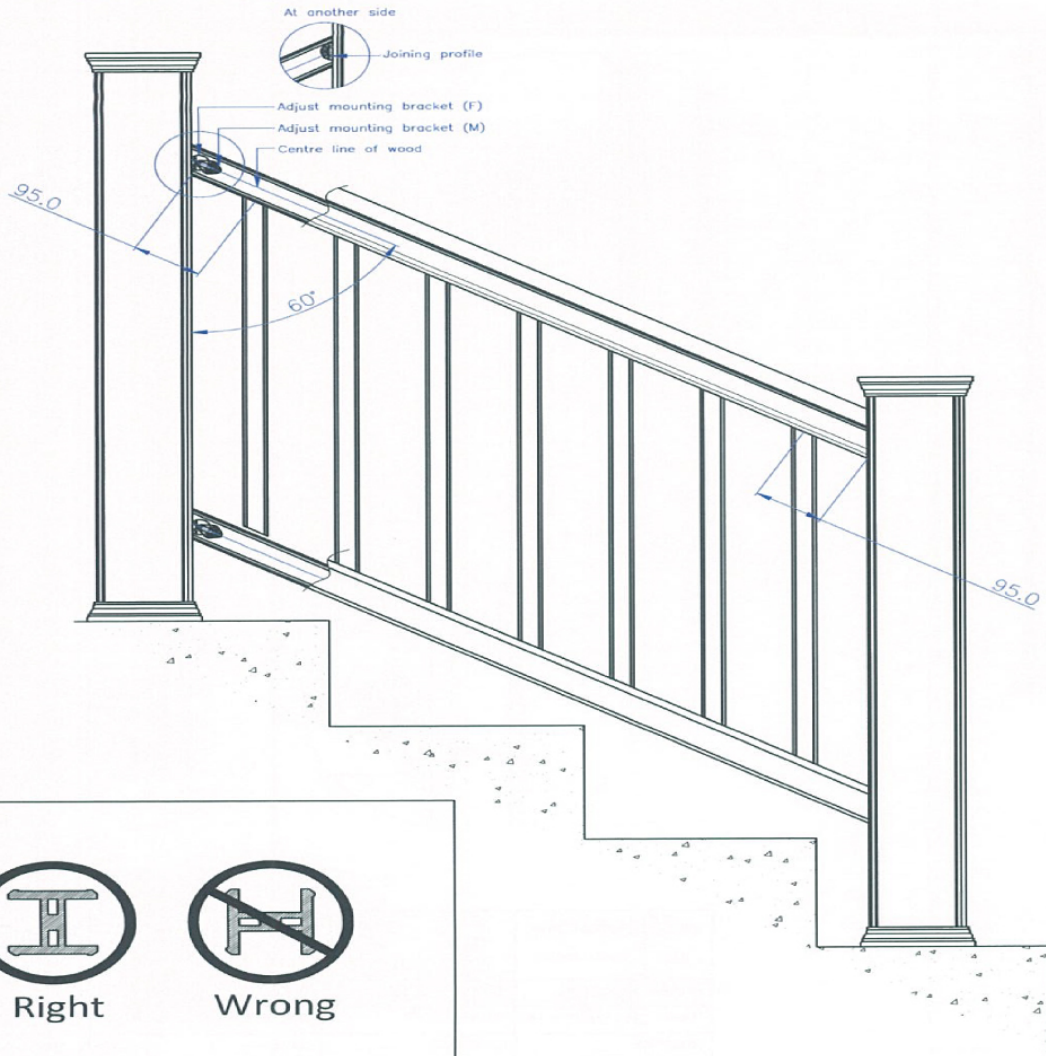


Detail B2



UNIT: MM	PROJECTION THIRD ANGLE	 PT. LATRADE BATAM INDONESIA		
DRAWN: RIFALDI	CLIENT: GRM	TITLE: RAILING SYSTEM		
DATE: 21/06/2016	NO OF CAVITY: -	MODEL: INSTALLATION GUIDE		
CHECKED:	EST.WT(KG): -	MAT'L: -	PART NO: -	
DO NOT SCALE DWG	TYPE OF M/C: -	SHRINKAGE: -	SCALE NTS	SHT 03 OF 04

STAIR RAILS

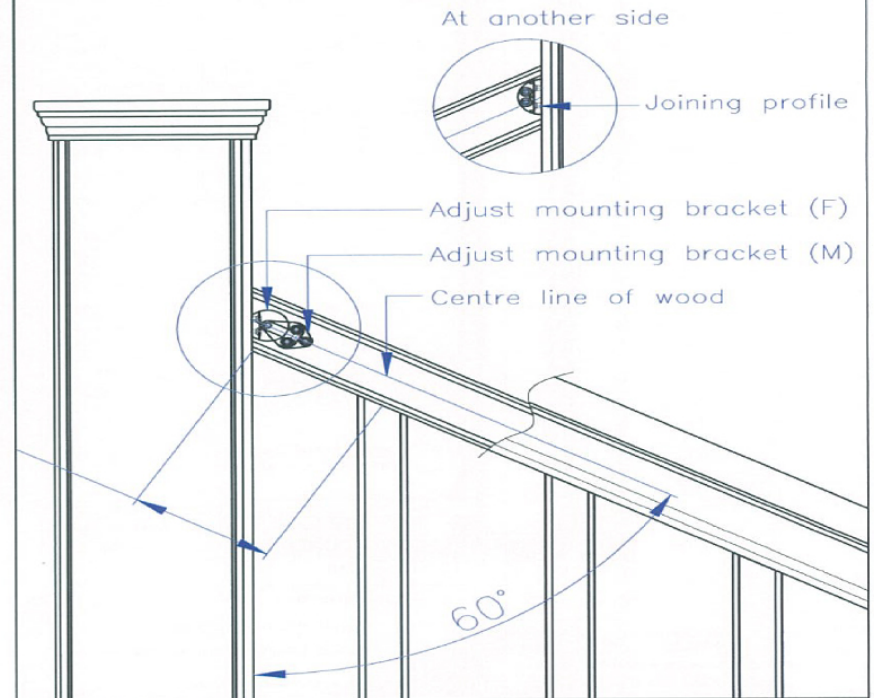



Right



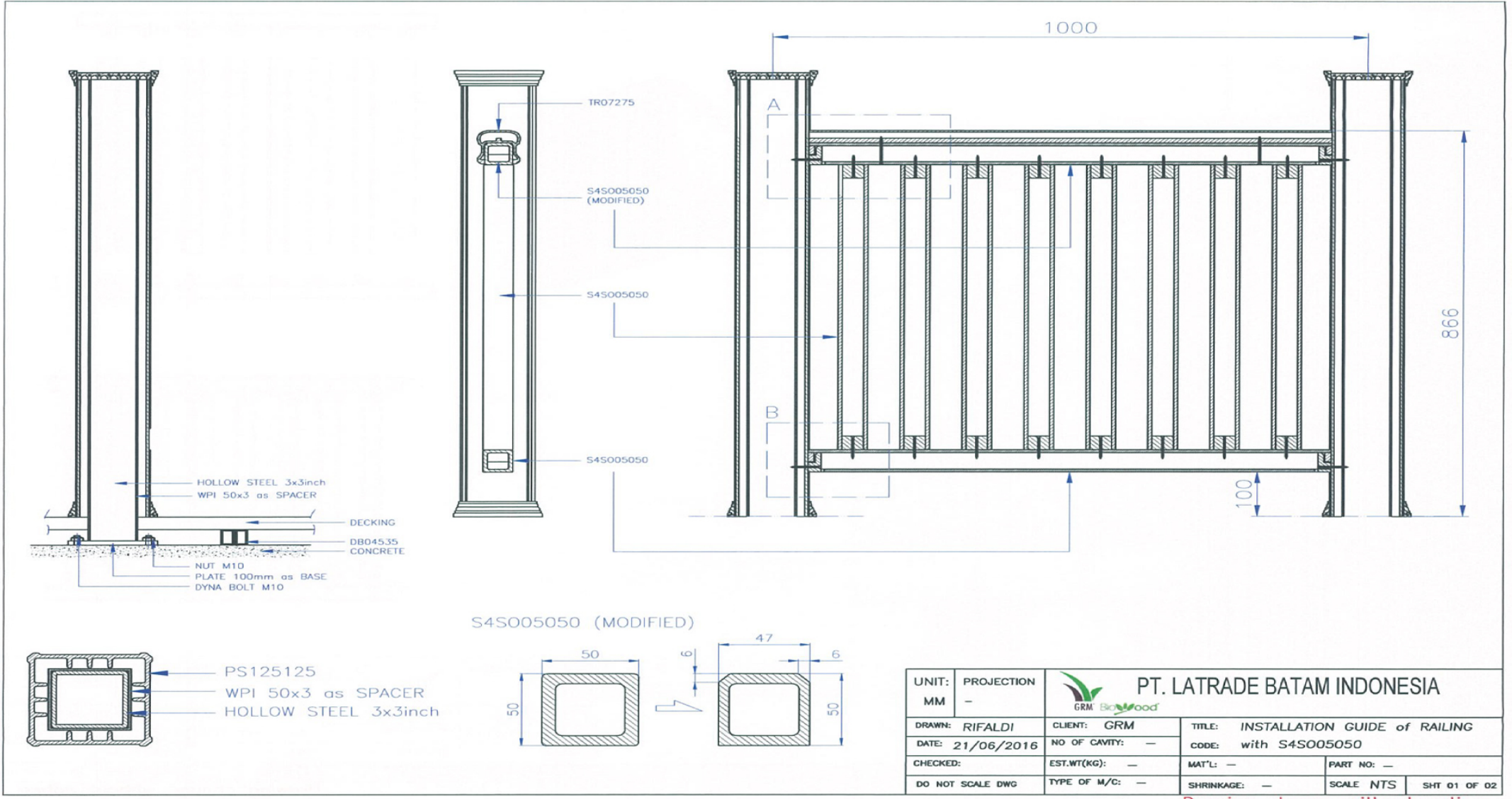
Wrong


STAIR RAILS



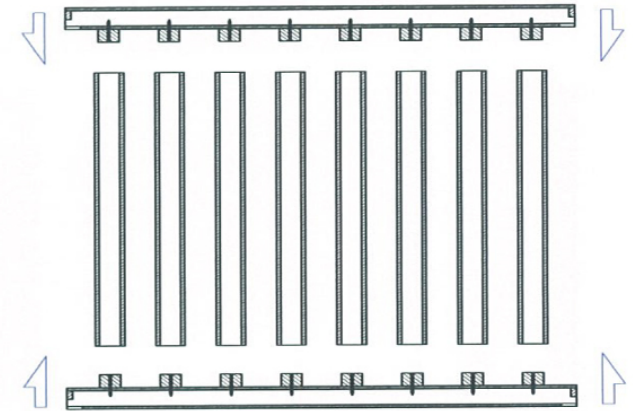
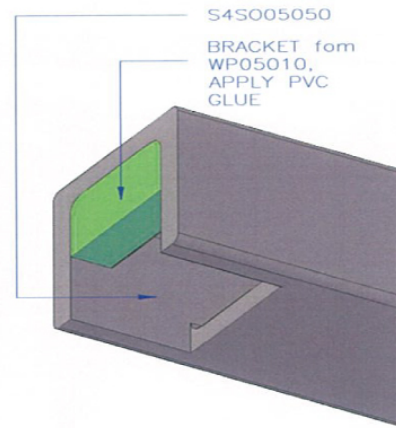
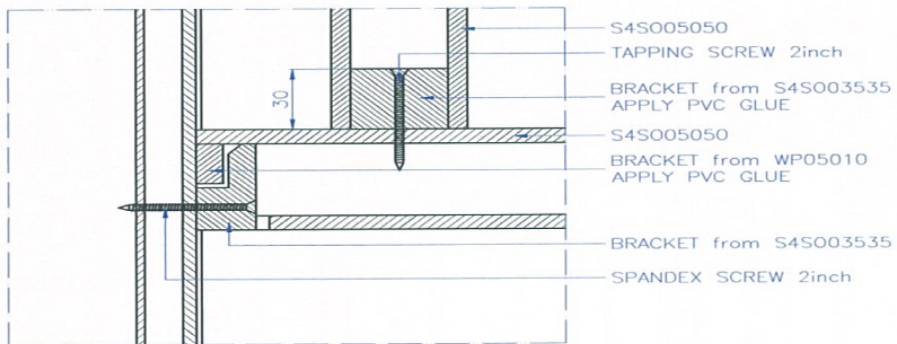
UNIT: MM	PROJECTION THIRD ANGLE	 PT. LATRADE BATAM INDONESIA		
DRAWN: RIFALDI	CLIENT: GRM	TITLE: RAILING SYSTEM		
DATE: 21/06/2016	NO OF CAVITY: -	MODEL: INSTALLATION GUIDE		
CHECKED:	EST.WT(KG): -	MAT'L: -	PART NO: -	
DO NOT SCALE DWG	TYPE OF M/C: -	SHRINKAGE: -	SCALE NTS	SHT 04 OF 04

Drawing change without notice

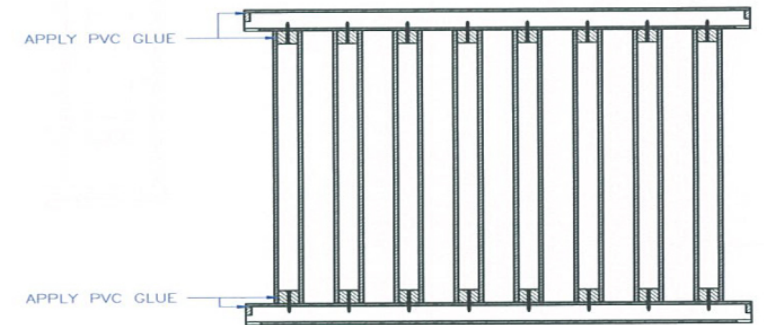
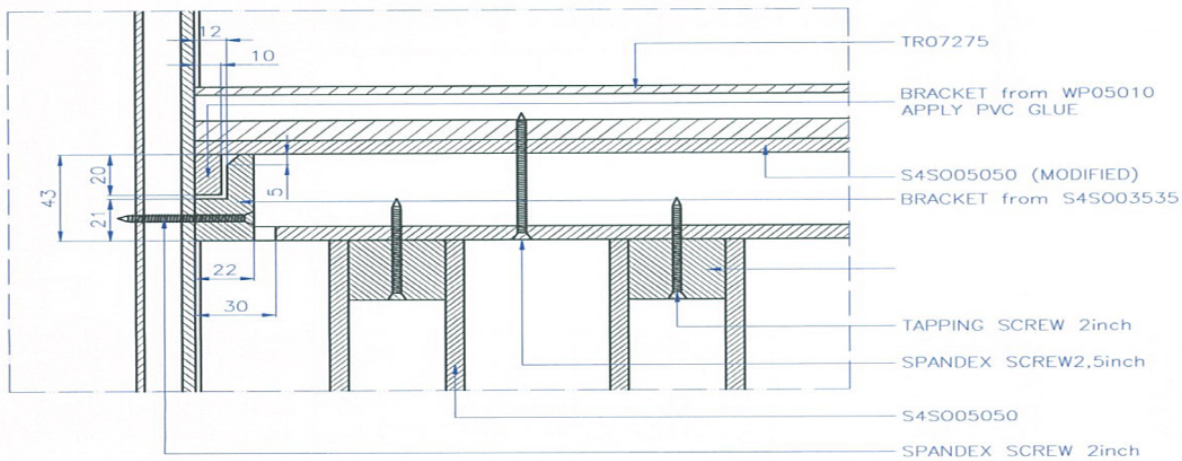



UNIT: MM	PROJECTION -	 PT. LATRADE BATAM INDONESIA			
DRAWN: RIFALDI	CLIENT: GRM	TITLE: INSTALLATION GUIDE of RAILING			
DATE: 21/06/2016	NO OF CAVITY: -	CODE: with S4S005050			
CHECKED:	EST.WT(KG): -	MAT'L: -	PART NO: -		
DO NOT SCALE DWG	TYPE OF M/C: -	SHRINKAGE: -	SCALE NTS	SHT 01 OF 02	

DETAIL B



DETAIL A



UNIT: MM	PROJECTION -	 PT. LATRADE BATAM INDONESIA	
DRAWN: RIFALDI	CLIENT: GRM	TITLE: INSTALLATION GUIDE of RAILING	
DATE: 21/06/2016	NO OF CAVITY: -	CODE: with S4SO05050	
CHECKED:	EST.WT(KG): -	MAT'L: -	PART NO: -
DO NOT SCALE DWG	TYPE OF M/C: -	SHRINKAGE: -	SCALE NTS
			SHT 02 OF 02

Drawing change without notice