
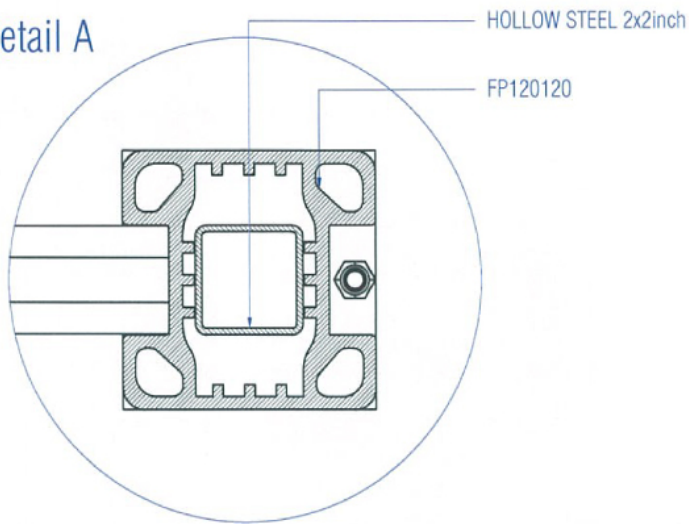


UNIT: MM	PROJECTION -	 PT. LATRADEBATAMINDONESIA			
DRAWN RIFALDI	CLIENT GRM	TITLE FENCE POST 120X120 & FENCING 300X50	MODEL INSTALLATION GUIDE WITH HOLLOW STEEL		
DATE 13/01/2012	NO OF CAVITY -	MATL -	PART NO -		
CHECKED	EST WT(KG) -	SHRINKAGE -	SCALE NTS	SHT 01 OF 02	
DO NOT SCALE DWG	TYPE OF M/C -				

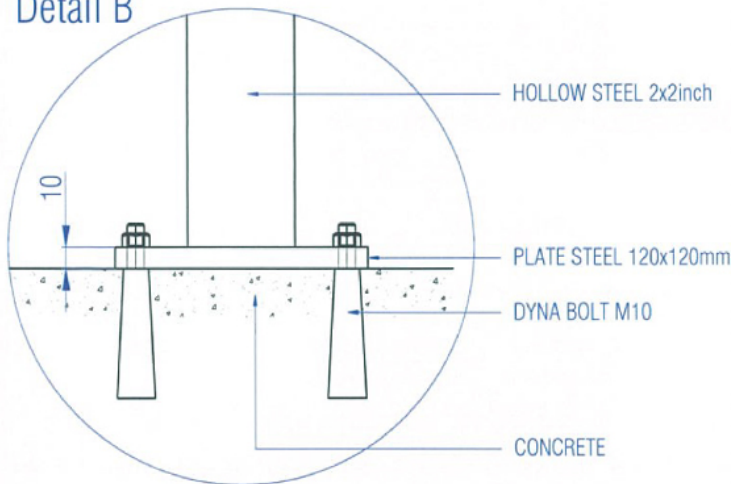
Drawing change without notice


Detail A



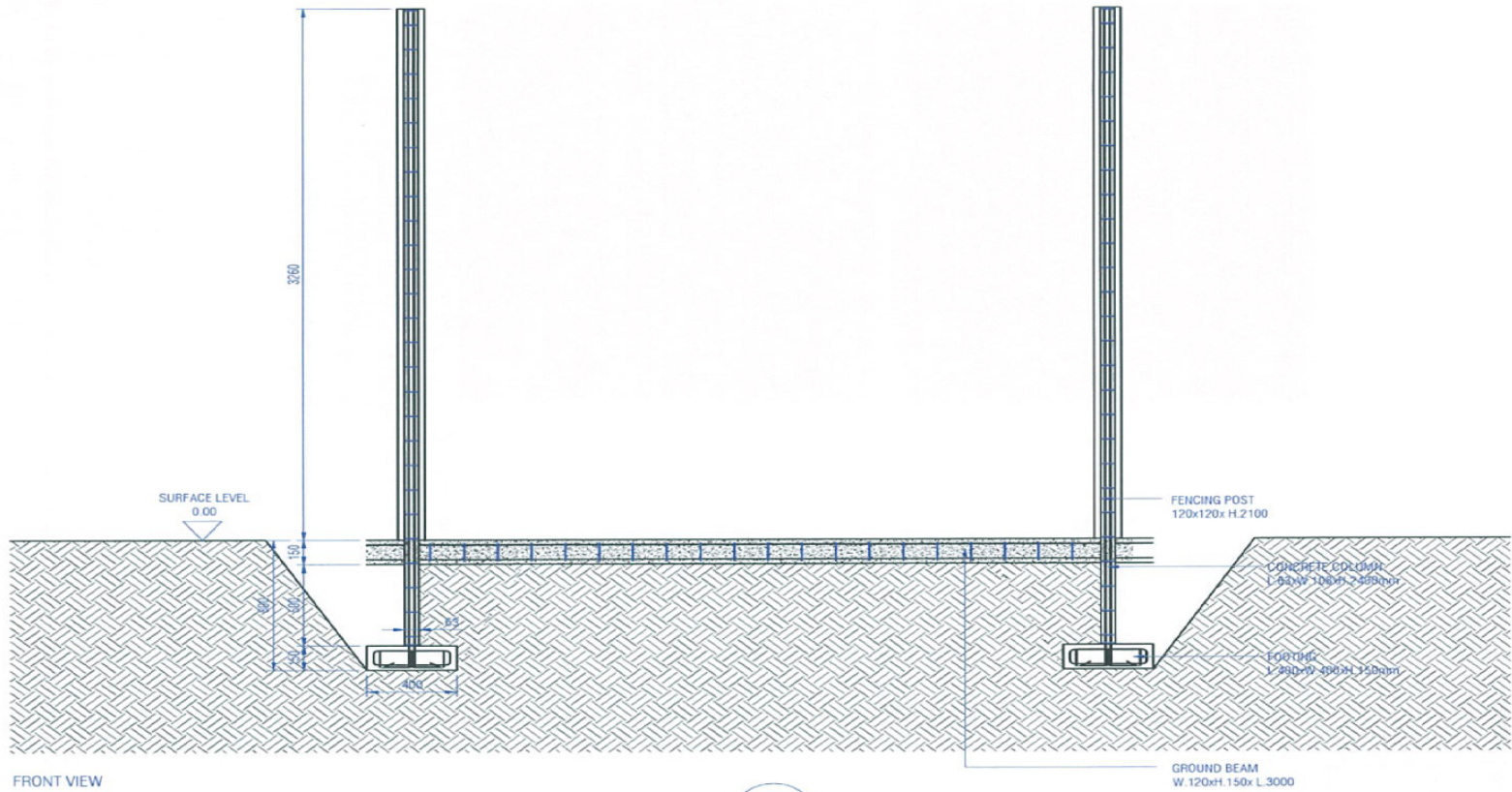
Before insert another FP30050,
do screw FP30050 to FP120120
by using tapping screw

Detail B



UNIT: MM	PROJECTION -	 PT. LATRADEBATAMINDONESIA	
DRAWN: RIFALDI	CLIENT: GRM	TITLE: FENCE POST 120X120 & FENCING 300X50	
DATE: 13/01/2012	NO OF CAVITY: -	MODEL: INSTALLATION GUIDE WITH HOLLOW STEEL	
CHECKED:	EST.WT(KG): -	MATL: -	PART NO: -
DO NOT SCALE DWG	TYPE OF M/C: -	SHRINKAGE: -	SCALE: NTS
			SHT 02 OF 02

Drawing change without notice

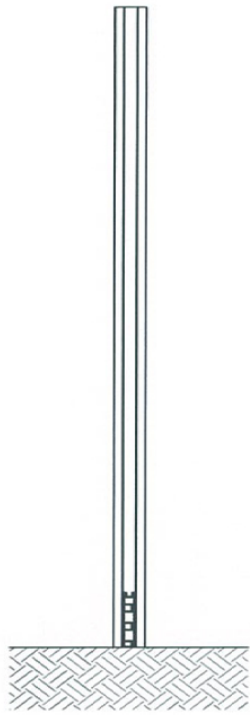


FRONT VIEW

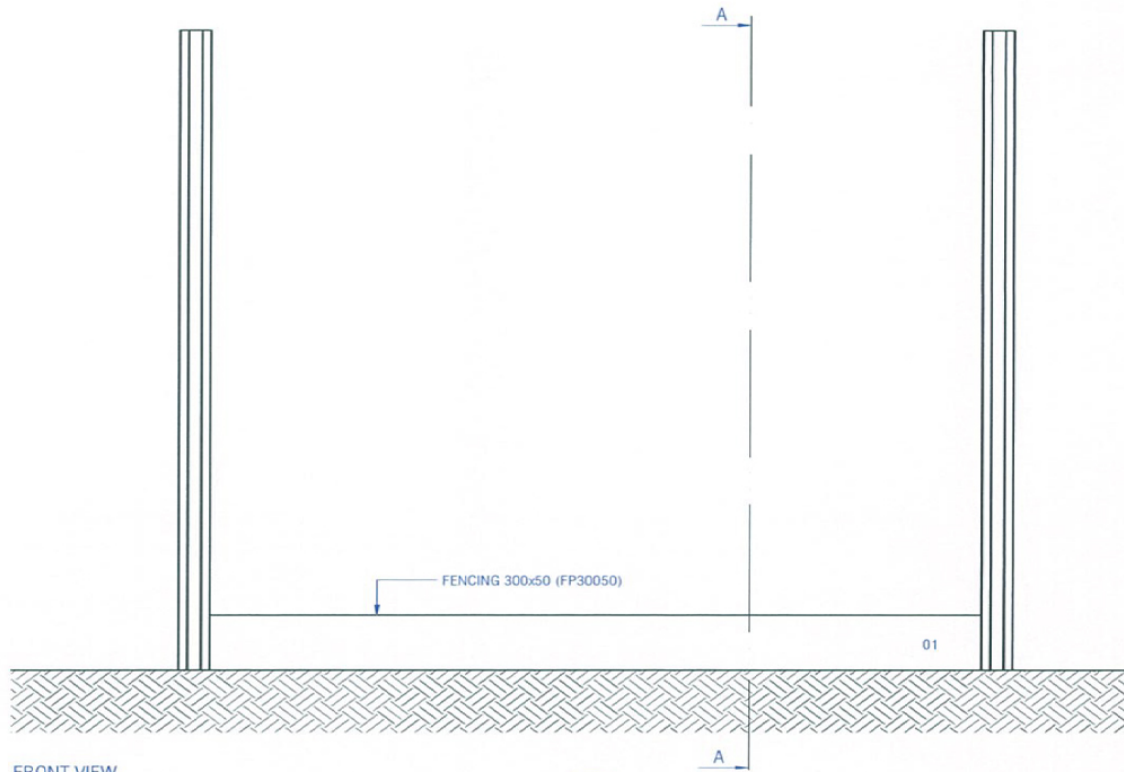
01

UNIT: MM	PROJECTION -	 PT. LATRADE BATAM INDONESIA		
DRAWN RIFALDI	CLIENT GRM	TITLE FENCE POST 120X120 & FENCING 300X50		
DATE 18/07/2012	NO OF CAVITY -	MODEL INSTALLATION GUIDE WITH CONCRETE		
CHECKED	EST WT(KG) -	MATL -	PART NO -	
DO NOT SCALE DWG	TYPE OF M/C -	SHRINKAGE -	SCALE NTS	SHT 01 OF 04

Drawing change without notice




SECTION A-A

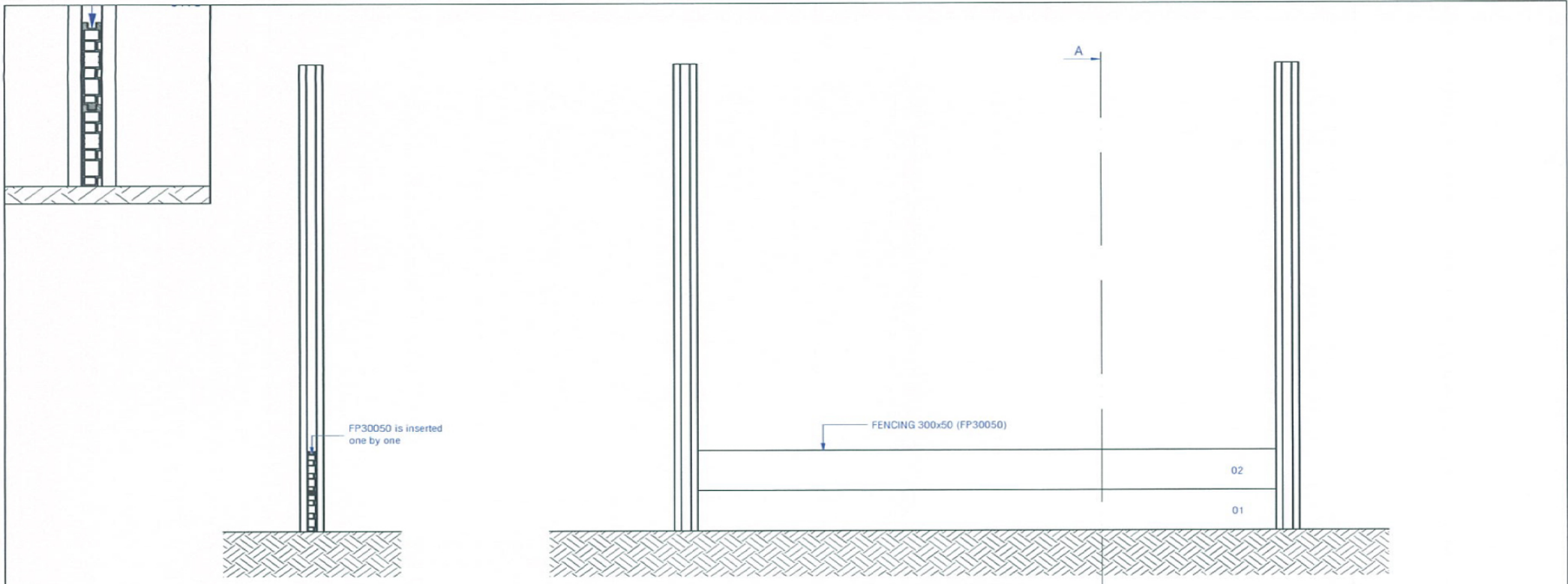


FRONT VIEW

02

UNIT: MM	PROJECTION -	 PT. LATRADE BATAM INDONESIA			
DRAWN: RIFALDI	CLIENT: GRM	TITLE: FENCE POST 120X120 & FENCING 300X50		MODEL: INSTALLATION GUIDE WITH CONCRETE	
DATE: 18/07/2012	NO OF CAVITY: -	CHECKED:	EST. WT(KG): -	MATL: -	PART NO: -
DO NOT SCALE DWG	TYPE OF M/C: -	SHRINKAGE: -	SCALE: NTS	SHT 02 OF 04	


Drawing change without notice



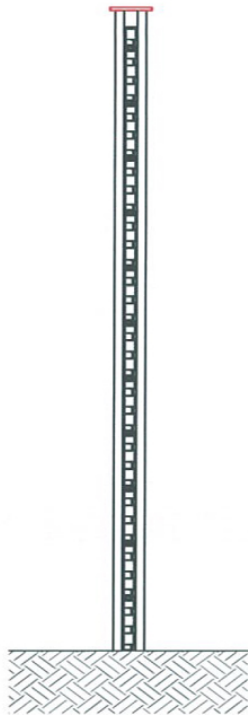
SECTION A-A

FRONT VIEW

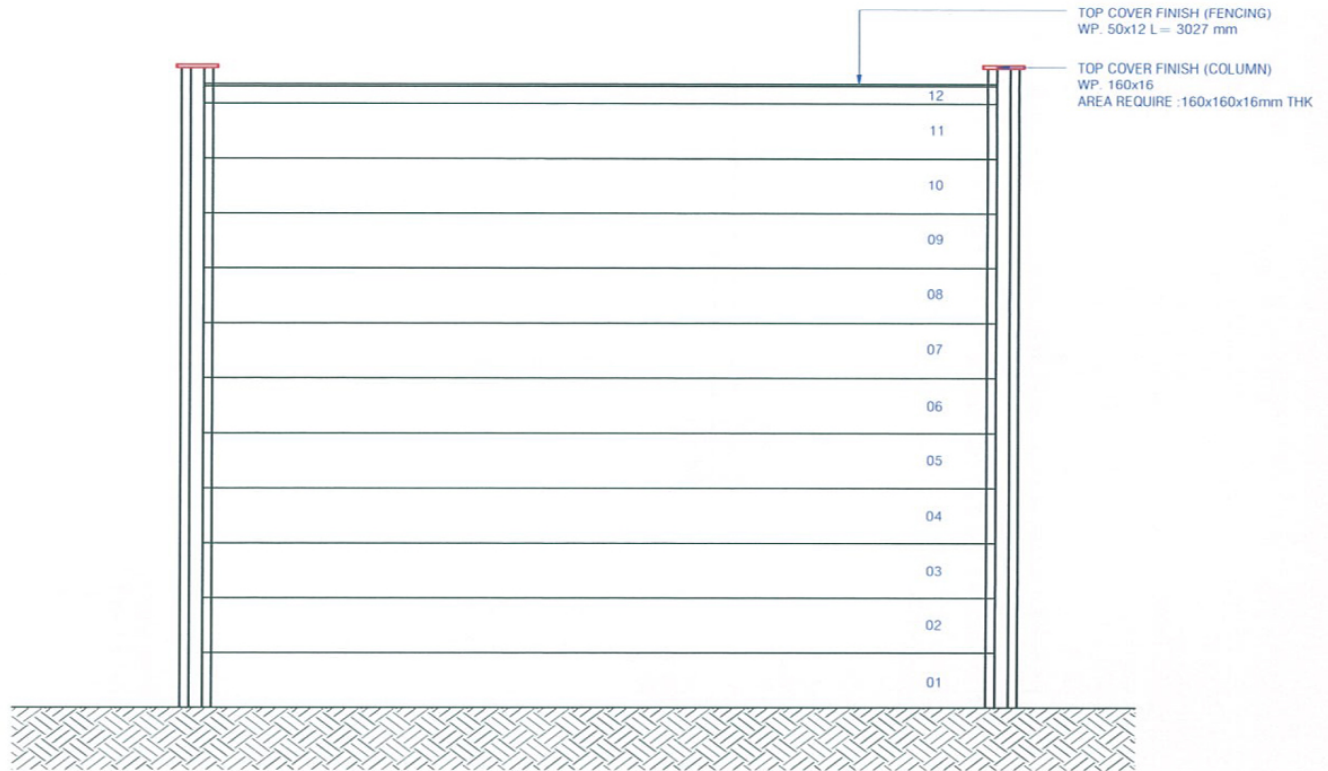
03

UNIT: MM	PROJECTION -	 PT. LATRADE BATAM INDONESIA	
DRAWN RIFALDI	CLIENT GRM	TITLE FENCE POST 120X120 & FENCING 300X50	
DATE 18/07/2012	NO OF CAVITY -	MODEL INSTALLATION GUIDE WITH CONCRETE	
CHECKED	EST WT(XG) -	MATL. -	PART NO. -
DO NOT SCALE DWG	TYPE OF M/C -	SHRINKAGE -	SCALE NTS
			SHT 03 OF 04

Drawing change without notice




SECTION A-A

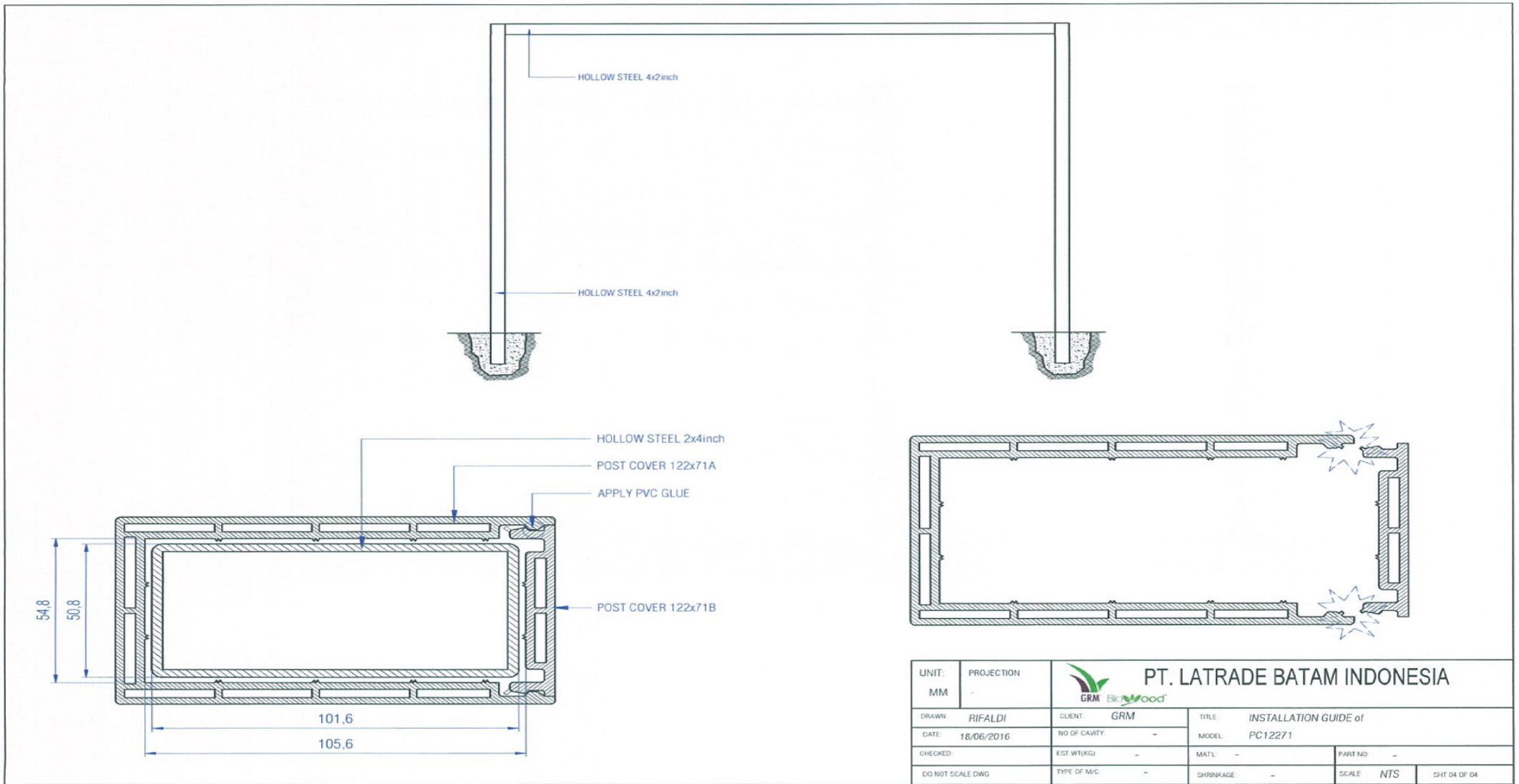


FRONT VIEW

04

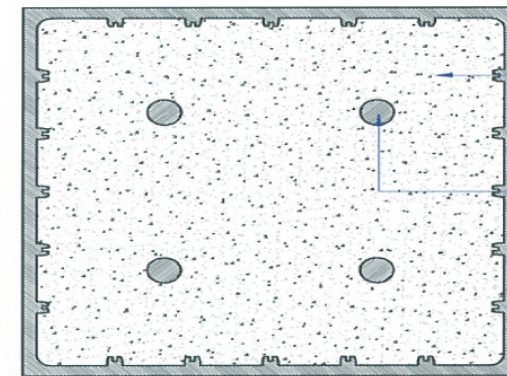
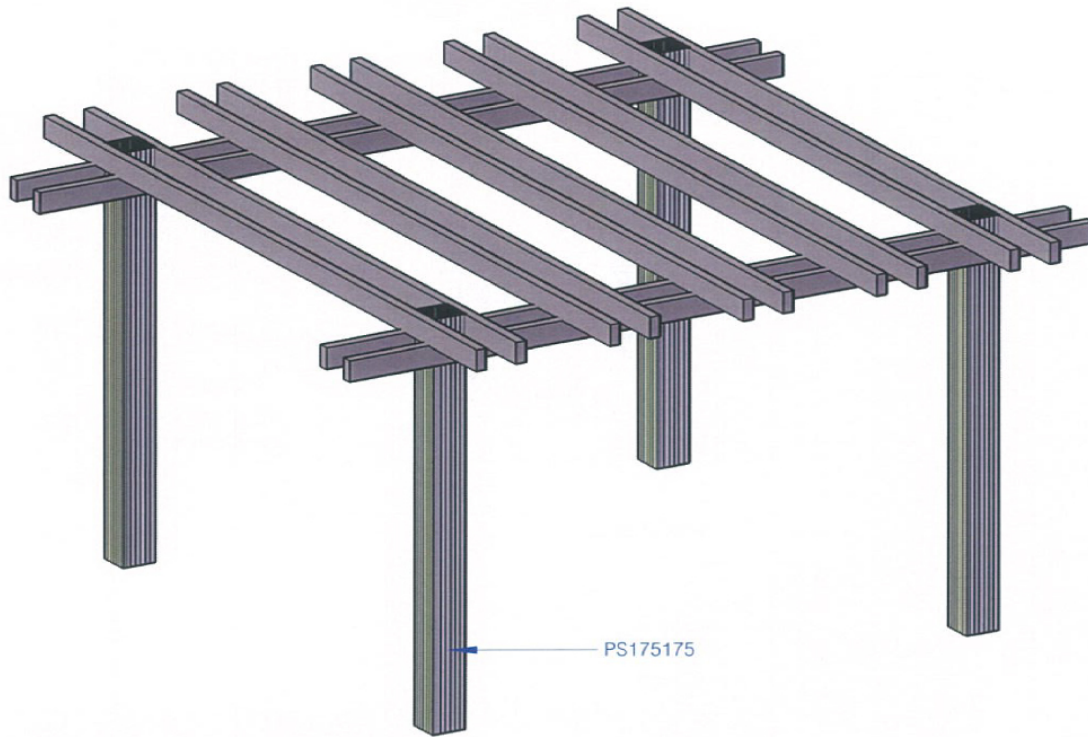
UNIT: MM	PROJECTION -	 PT. LATRADE BATAM INDONESIA		
DRAWN RIFALDI	CLIENT GRM	TITLE FENCE POST 120X120 & FENCING 300X50	MODEL INSTALLATION GUIDE WITH CONCRETE	
DATE 18/07/2012	NO OF CAVITY -	MATL -	PART NO. -	
CHECKED	EST WT(KG) -	SHRINKAGE -	SCALE NTS	SHT 04 OF 04
DO NOT SCALE DWG	TYPE OF M/C -			

Drawing change without notice



UNIT: MM	PROJECTION -	 PT. LATRADE BATAM INDONESIA		
DRAWN: RIFALDI	CLIENT: GRM	TITLE: INSTALLATION GUIDE of		
DATE: 18/06/2016	NO OF CAVITY: -	MODEL: PC12271	PART NO: -	
CHECKED:	EST WT(KG): -	MATL: -	SCALE: NTS	SHT 04 OF 04
DO NOT SCALE DWG	TYPE OF M/C: -	SHRINKAGE: -		

Drawing change without notice




CEMENT

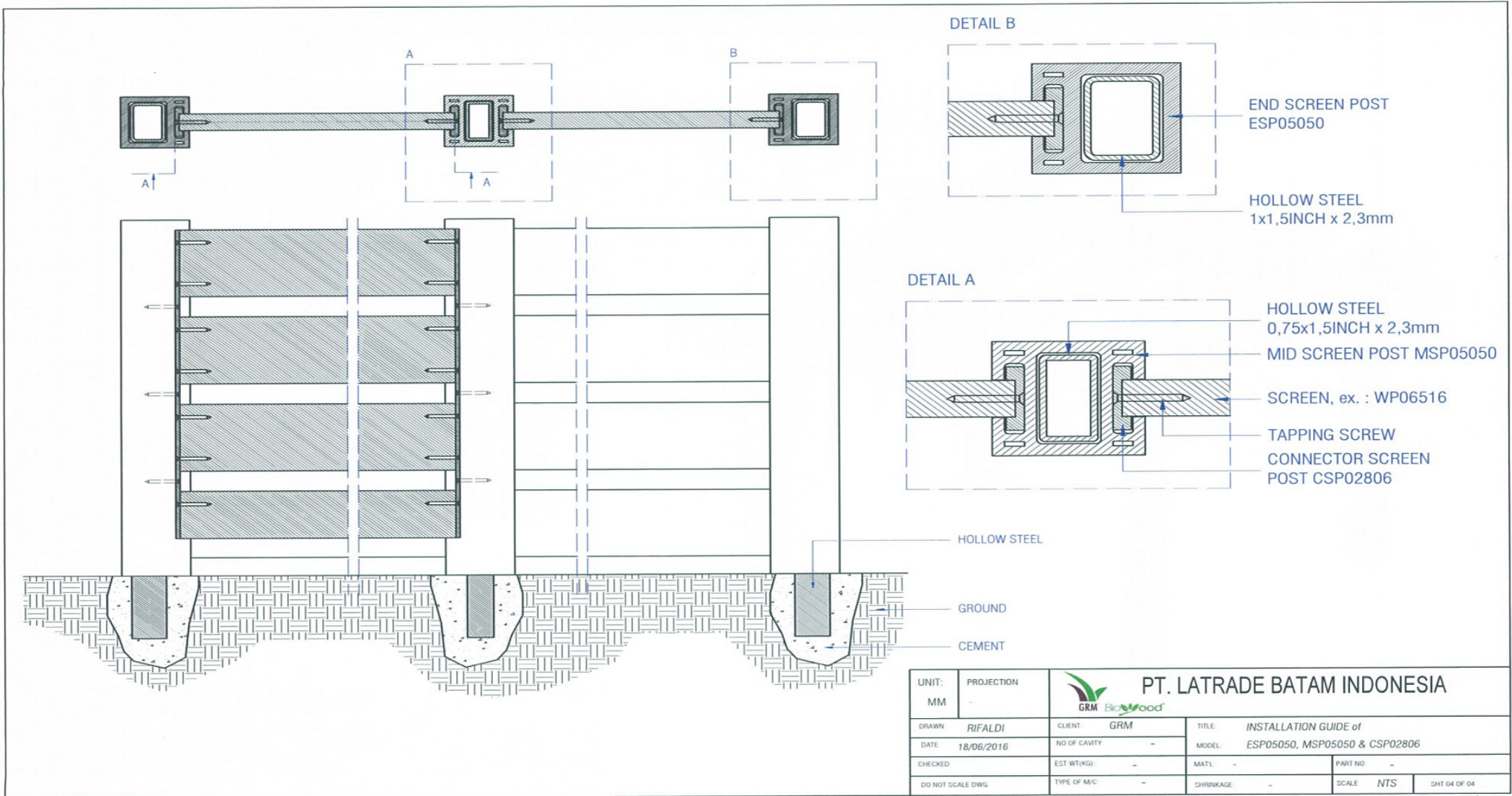
STEEL REBAR


PC175175

PS175175

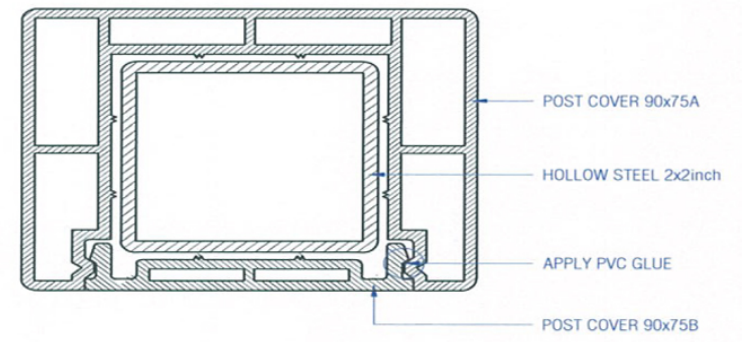
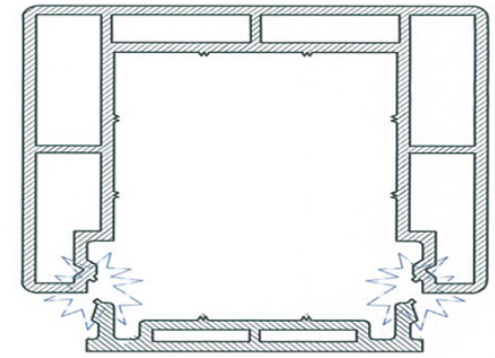
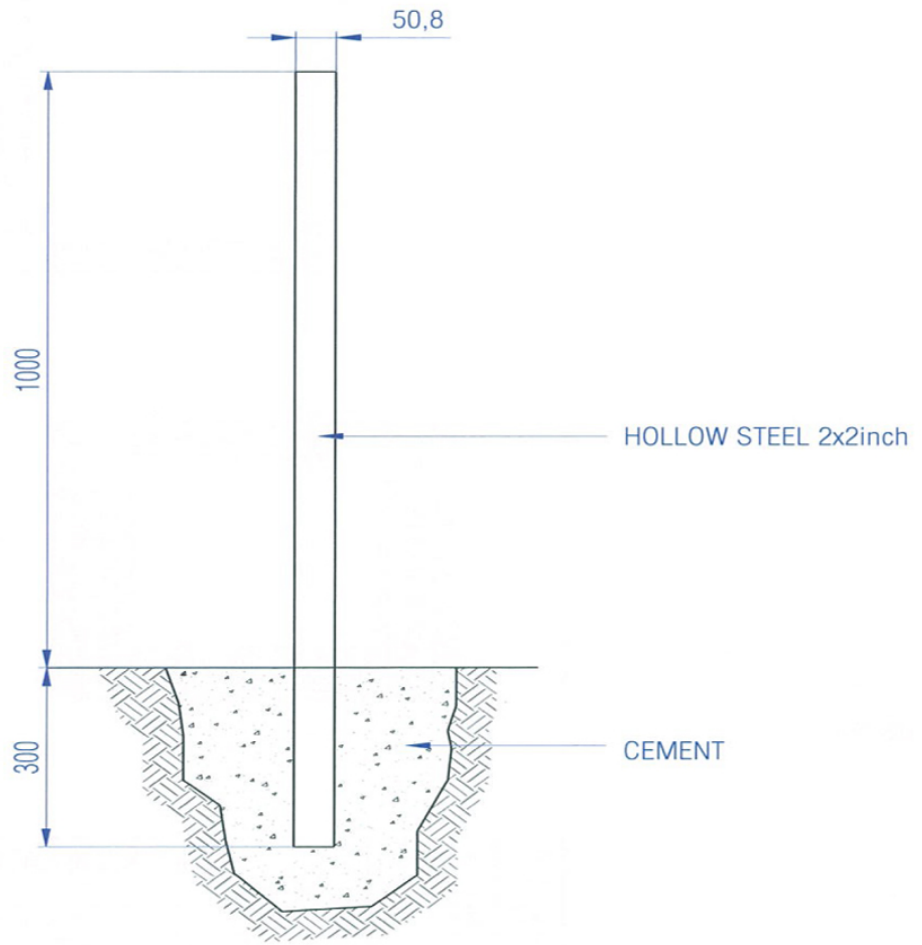
UNIT: MM	PROJECTION -	 PT. LATRADE BATAM INDONESIA	
DRAWN: RIFALDI	CLIENT: GRM	TITLE: INSTALLATION GUIDE of	
DATE: 18/06/2016	NO OF CAVITY: -	MODEL: PS175175	
CHECKED:	EST. WT(KG): -	MATL.: -	PART NO: -
DO NOT SCALE DWG	TYPE OF M/C: -	SHRINKAGE: -	SCALE: NTS SHT 04 OF 04

Drawing change without notice



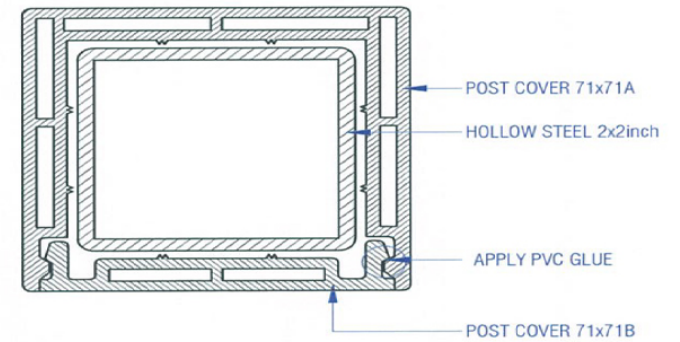
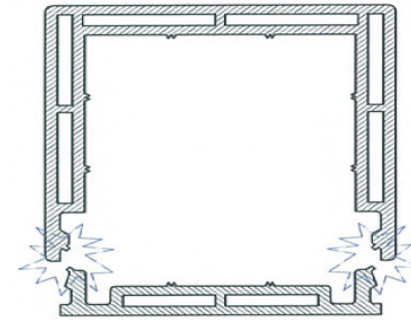
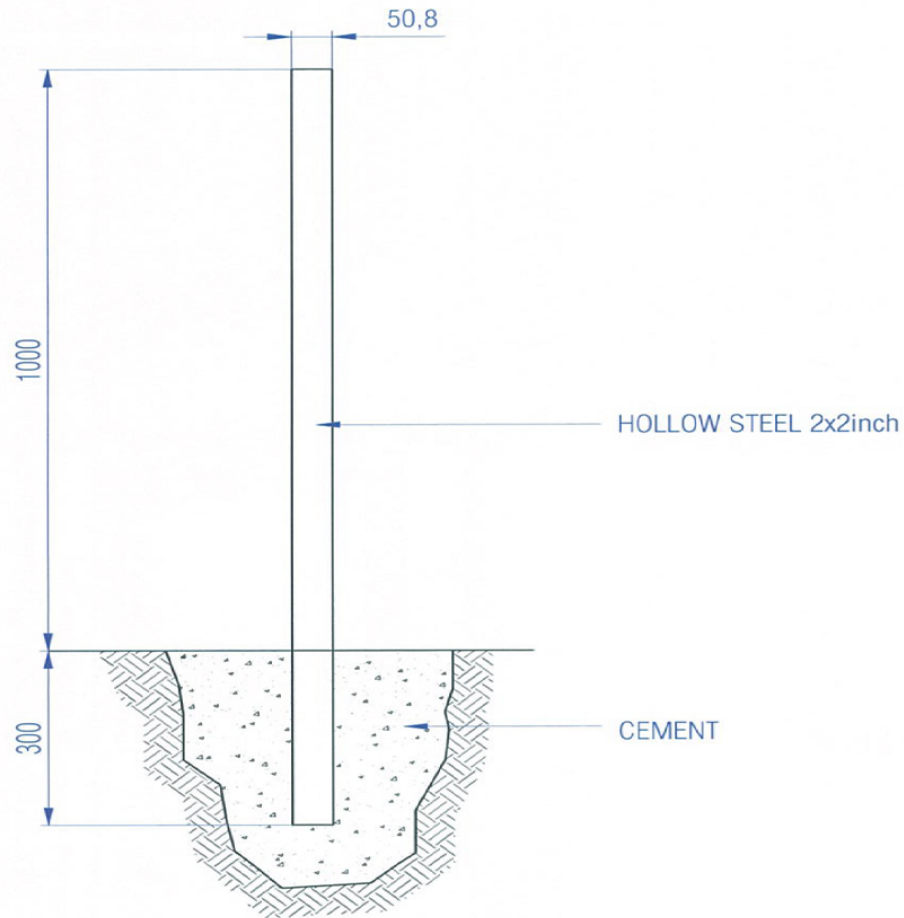
UNIT: MM	PROJECTION -	 PT. LATRADE BATAM INDONESIA			
DRAWN RIFALDI	CLIENT GRM	TITLE INSTALLATION GUIDE of		MODEL ESP05050, MSP05050 & CSP02806	
DATE 18/06/2016	NO OF CAVITY -	MATL. -	PART NO. -		
CHECKED	EST WT(KG) -	SHRINKAGE -		SCALE NTS	SHT 04 OF 04
DO NOT SCALE DWG	TYPE OF M/C -				

Drawing change without notice



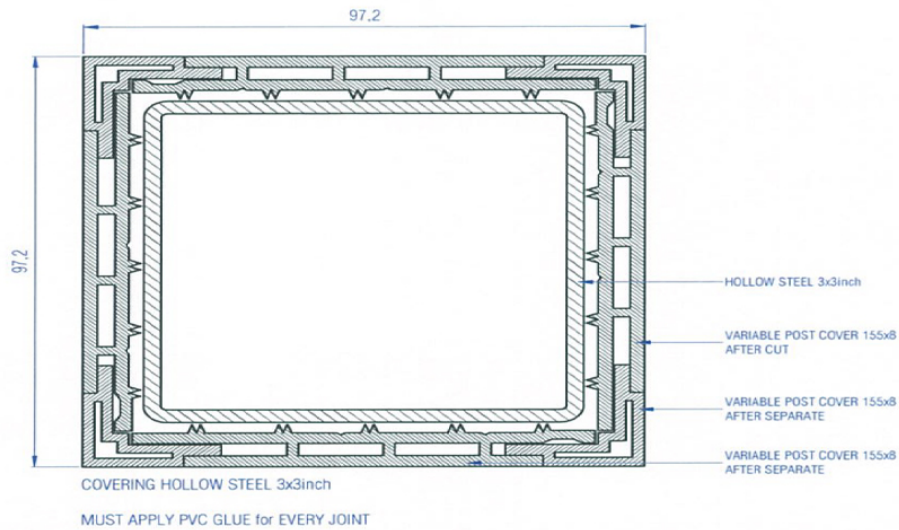
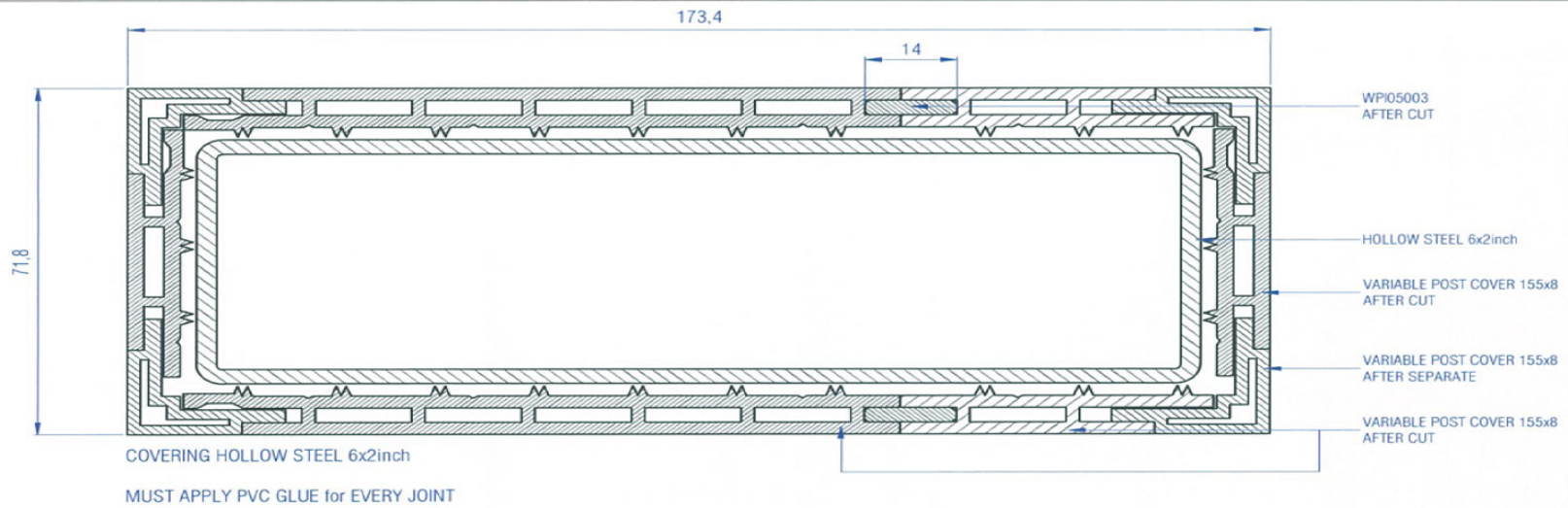
UNIT: MM	PROJECTION -	 PT. LATRADE BATAM INDONESIA	
DRAWN: RIFALDI	CLIENT: GRM	TITLE: INSTALLATION GUIDE of	
DATE: 18/06/2016	NO OF CAVITY: -	MODEL: PC09075	
CHECKED:	EST WT(KG): -	MATL: -	PART NO: -
DO NOT SCALE DWG	TYPE OF M/C: -	SHRINKAGE: -	SCALE NTS
			SHT 04 OF 04


Drawing change without notice



UNIT: MM	PROJECTION -	 PT. LATRADE BATAM INDONESIA		
DRAWN: RIFALDI	CLIENT: GRM	TITLE: INSTALLATION GUIDE of		
DATE: 18/06/2016	NO OF CAVITY: -	MODEL: PC07171		
CHECKED:	EST. WT.(KG): -	MAT'L: -	PART NO: -	
DO NOT SCALE DWG	TYPE OF M/C: -	SHRINKAGE: -	SCALE: NTS	SHT 04 OF 04

Drawing change without notice



UNIT: MM	PROJECTION -	 PT. LATRADE BATAM INDONESIA			
DRAWN: RIFALDI	CLIENT GRM	TITLE INSTALLATION GUIDE of		-	
DATE: 18/06/2016	NO OF CAVITY -	MODEL: VPC15508		PART NO. -	
CHECKED:	EST WT(KG) -	MATL. -	SCALE NTS		SHT 04 OF 04
DO NOT SCALE DWG	TYPE OF MC -	SHRINKAGE -			

Drawing change without notice