
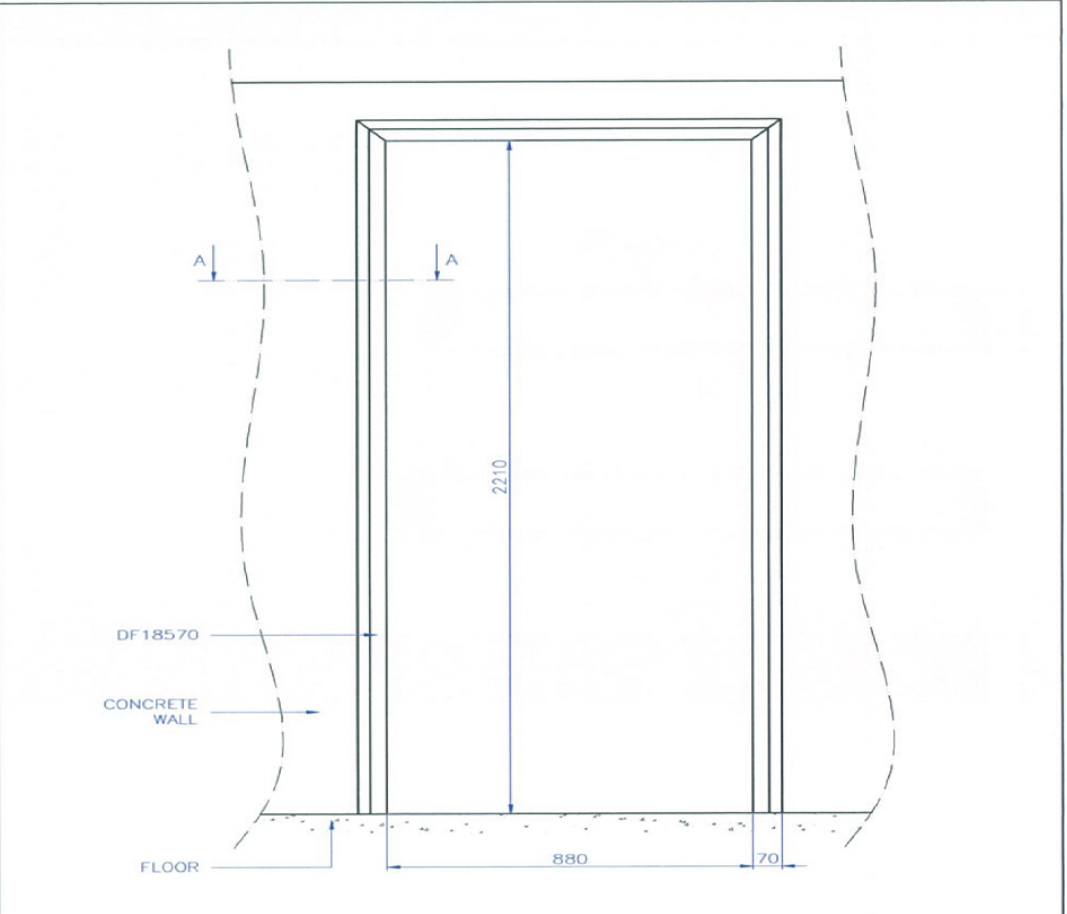
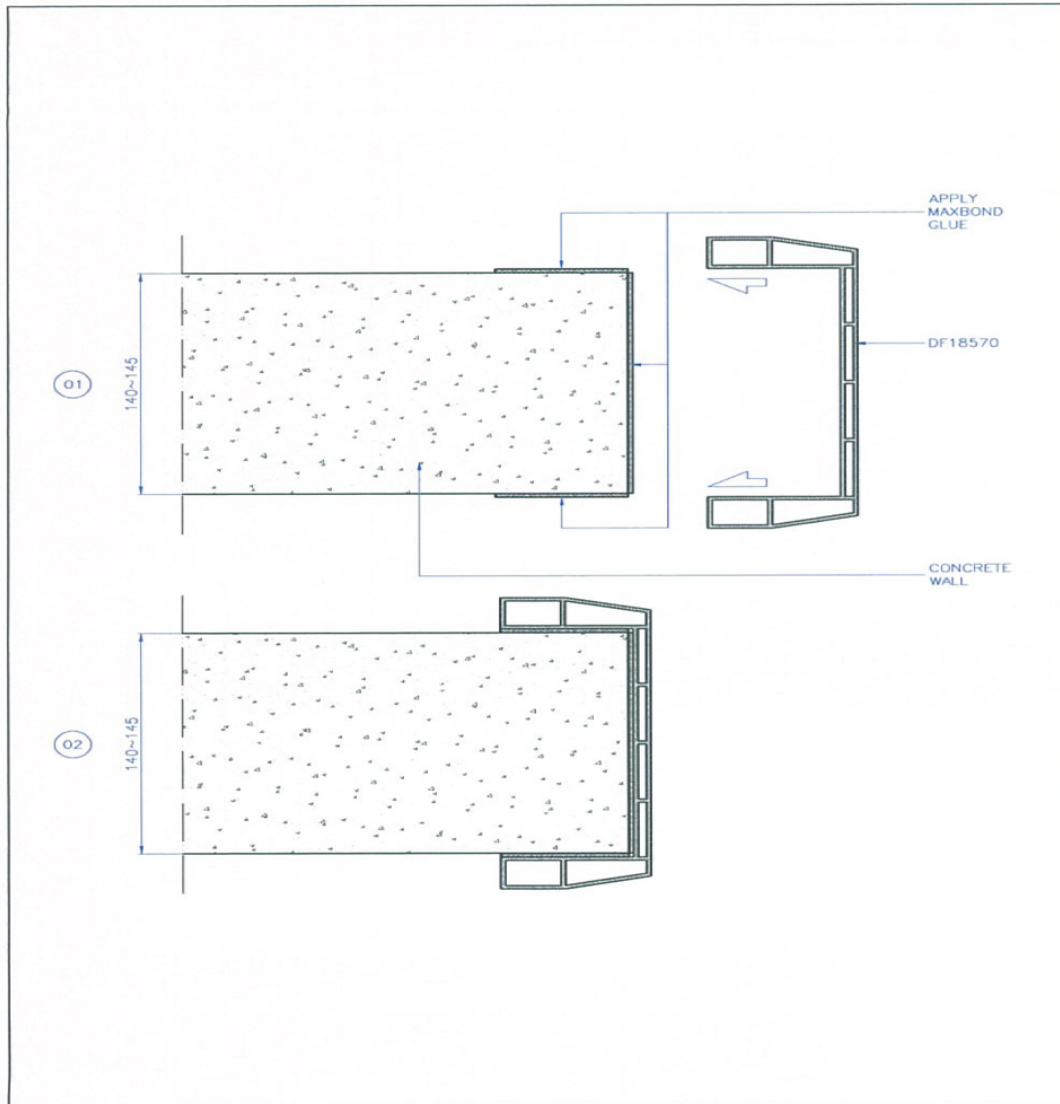



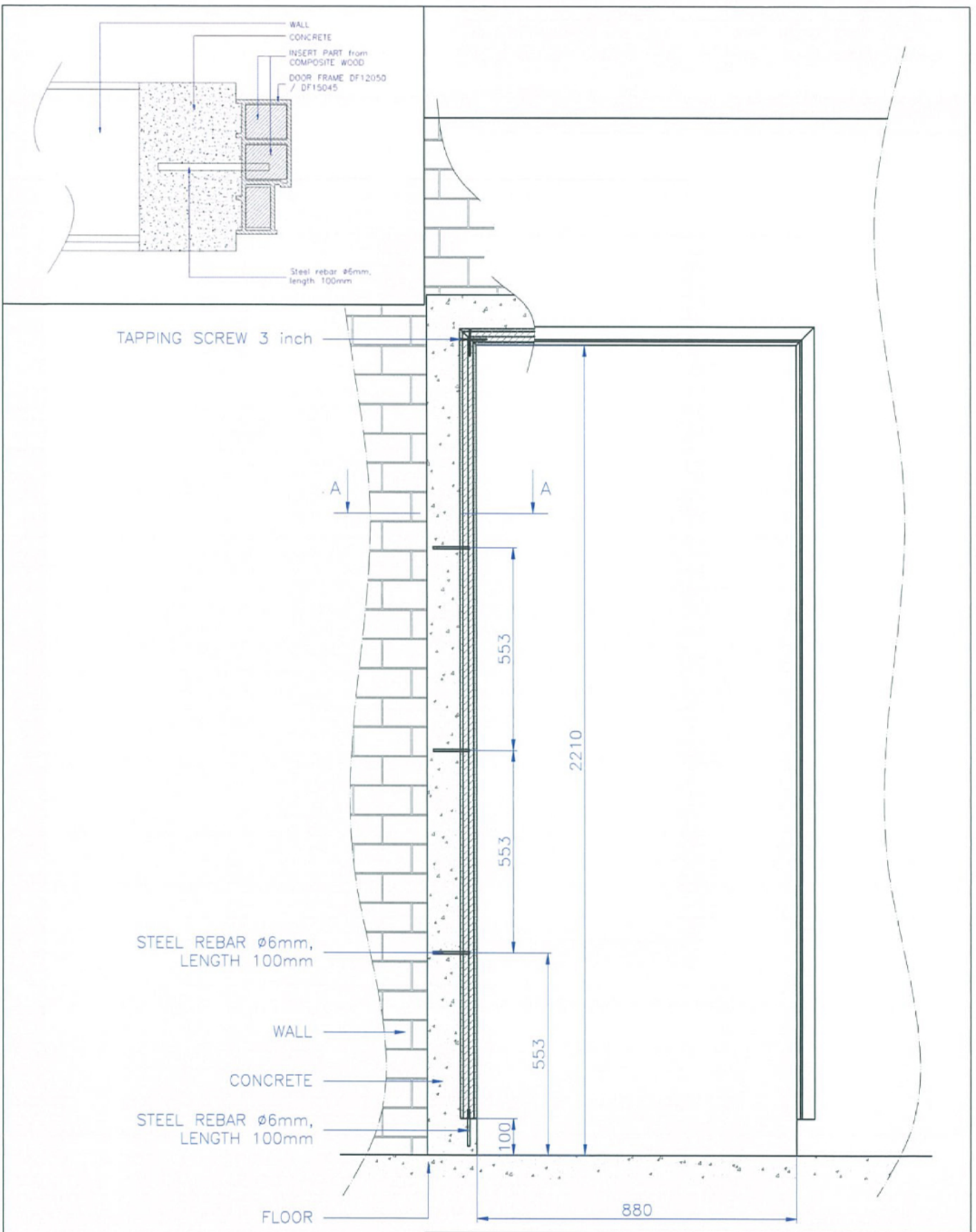
UNIT: MM	PROJECTION THIRD ANGLE	 <b>PT. LATRADE BATAM INDONESIA</b>			
DRAWN: RIFALDI	CLIENT: GRM	TITLE: DOOR PROFILE DP24840		NO OF CAVITY: -	
DATE: 16/03/2011		MODEL: INSTALLATION GUIDE		PART NO: -	
CHECKED:	EST.WT(KG): -	MAT'L: -	SHRINKAGE: -		
DO NOT SCALE DWG	TYPE OF M/C: -	SCALE NTS	SHT	OF	


Drawing change without notice



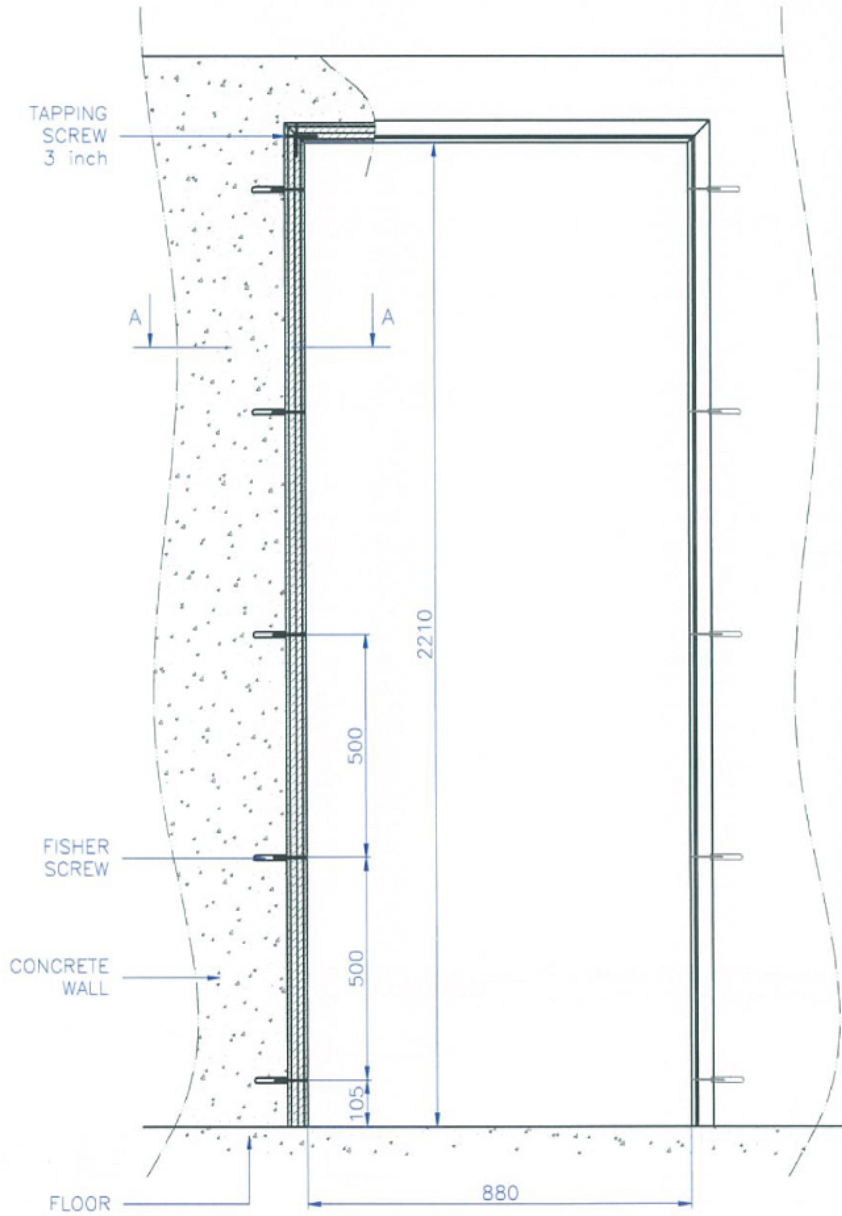
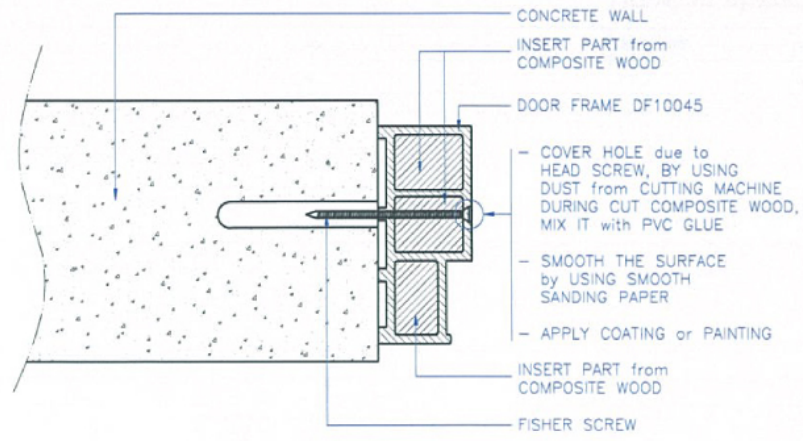
UNIT: MM	PROJECTION THIRD ANGLE	 <b>PT. LATRADE BATAM INDONESIA</b>		
DRAWN: RIFALDI	CLIENT: GRM	TITLE: DOOR FRAME DF18570		
DATE: 24/12/2015	NO OF CAVITY: -	MODEL: INSTALLATION GUIDE		
CHECKED:	EST.WT(KG): -	MAT'L: -	PART NO: -	
DO NOT SCALE DWG	TYPE OF M/C: -	SHRINKAGE: -	SCALE NTS	SHT OF


**Drawing change without notice**



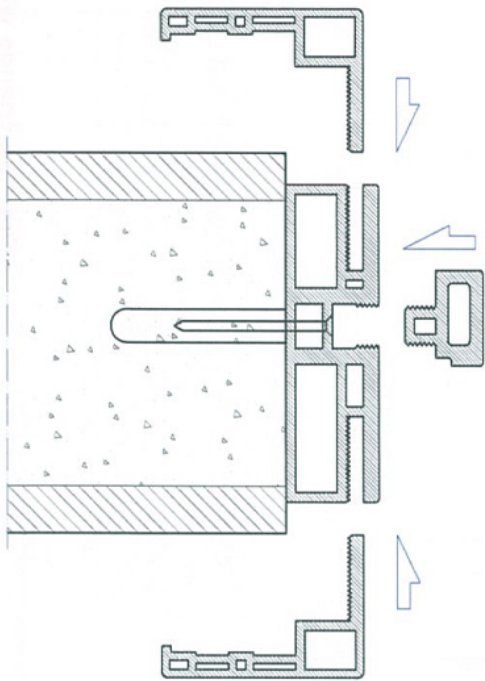
UNIT: MM	PROJECTION THIRD ANGLE	 <b>PT. LATRADEBATAMINDONESIA</b>	
DRAWN: RIFALDI	CLIENT: GRM	TITLE: DOOR FRAME DF12050 / DF15045	
DATE: 16/03/2011	NO OF CAVITY: -	MODEL: INSTALLATION GUIDE	
CHECKED:	EST.WT(KG): -	MAT'L: -	PART NO: -
DO NOT SCALE DWG	TYPE OF M/C: -	SHRINKAGE: -	SCALE NTS    SHT    OF

Drawing change without notice

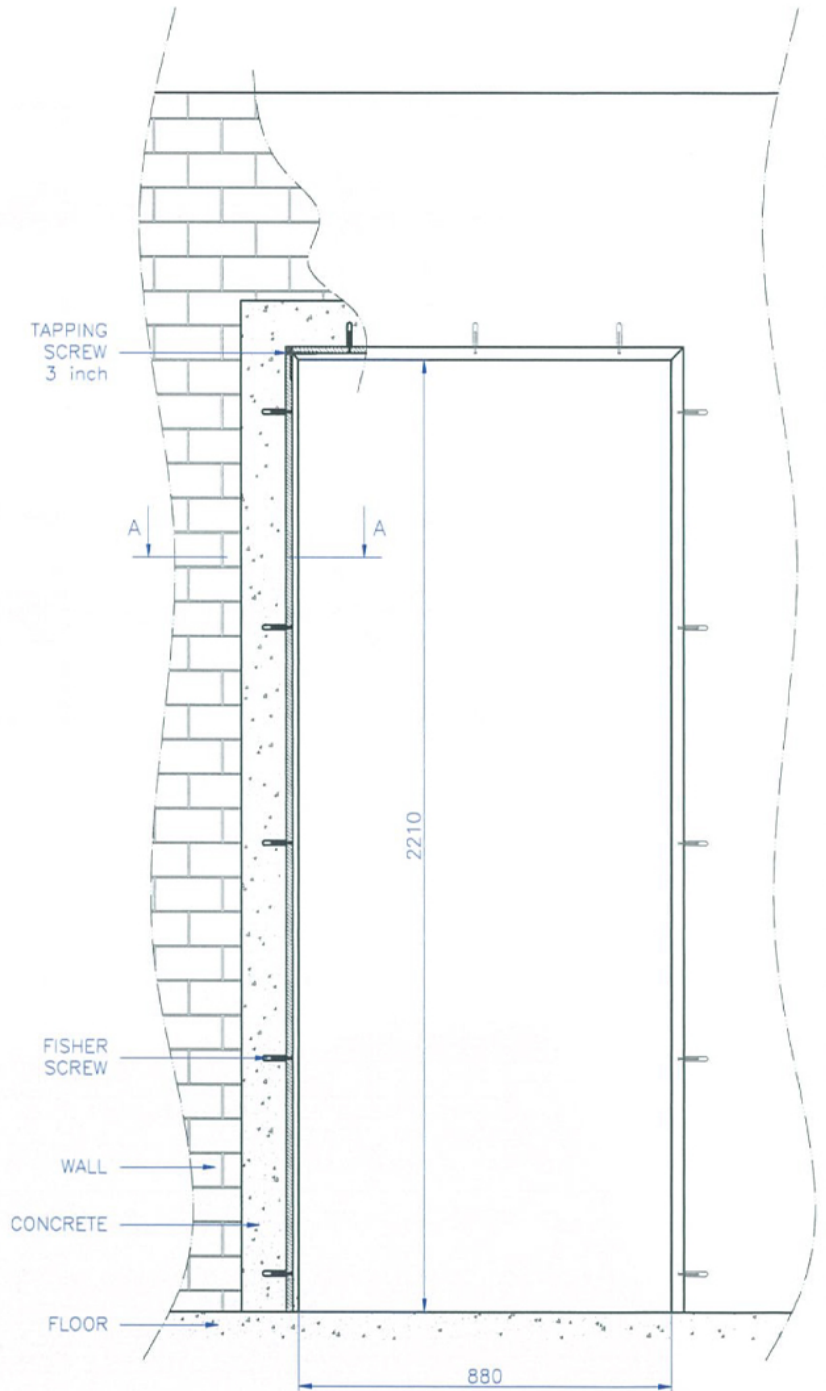
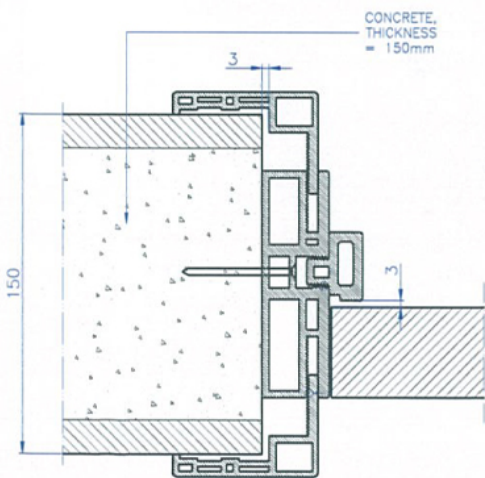
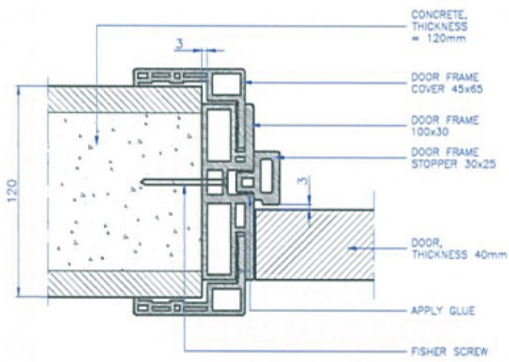


UNIT: MM	PROJECTION THIRD ANGLE		PT. LATRADEBATAMINDONESIA	
DRAWN: RIFALDI	CLIENT: GRM	TITLE: DOOR FRAME DF10045		
DATE: 05/01/2016	NO OF CAVITY: -	MODEL: INSTALLATION GUIDE		
CHECKED:	EST.WT(KG): -	MAT'L: -	PART NO: -	
DO NOT SCALE DWG	TYPE OF M/C: -	SHRINKAGE: -	SCALE NTS	SHT OF


Drawing change without notice



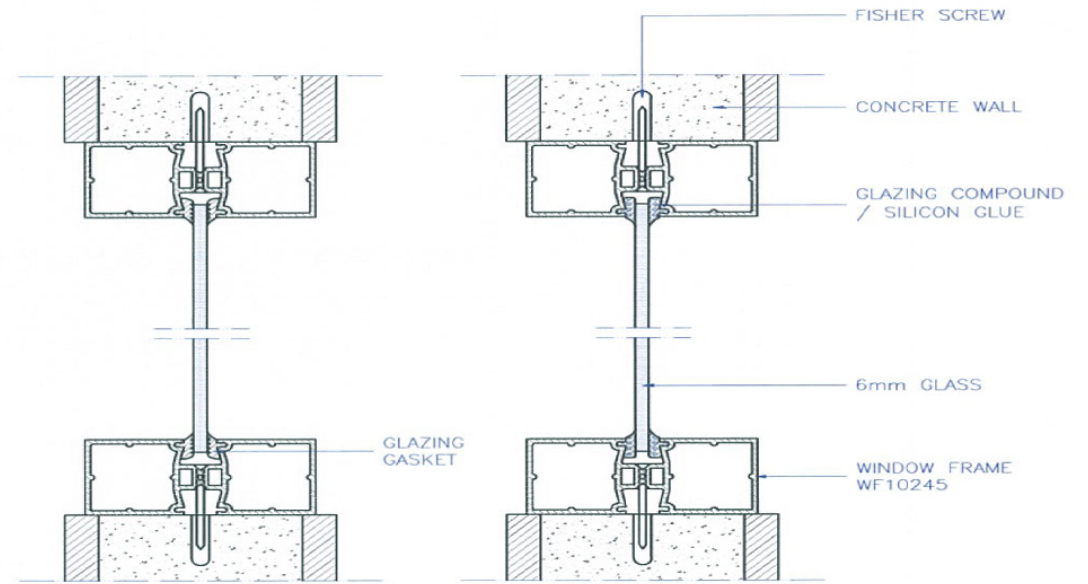
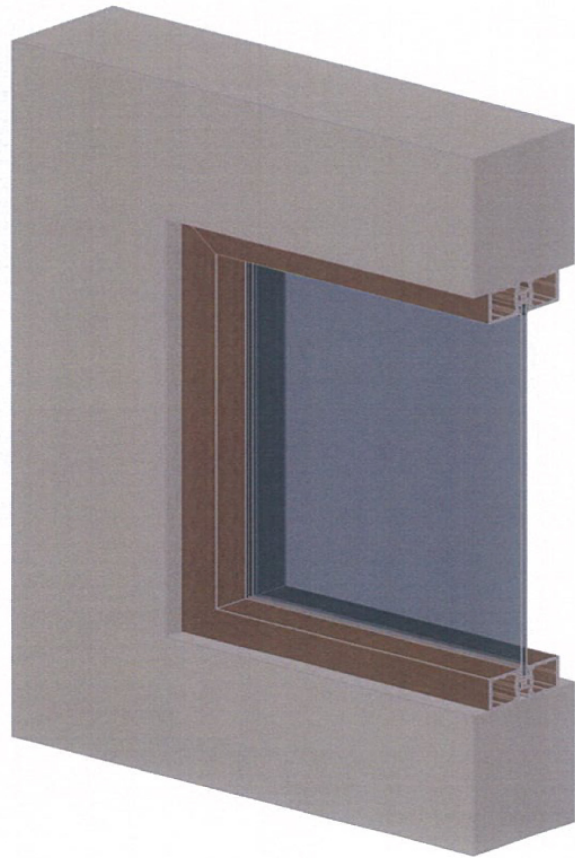
SECTION A-A




ADJUSTABLE, CAN BE CHANGED UP TO YOUR WALL THICKNESS DESIGN  
REQUIRE PAINTING FINISHING

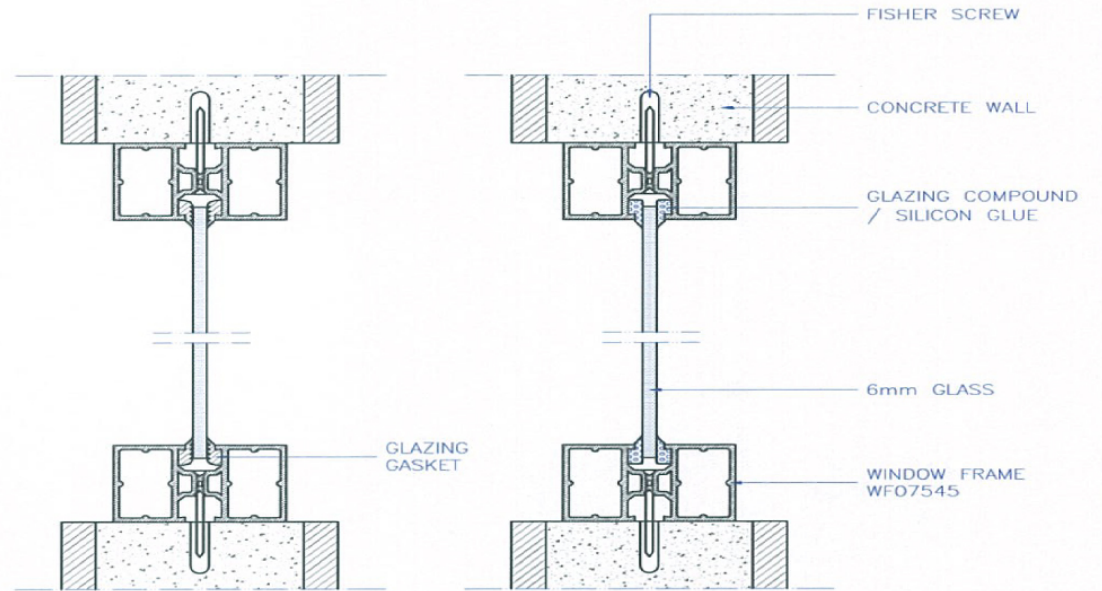
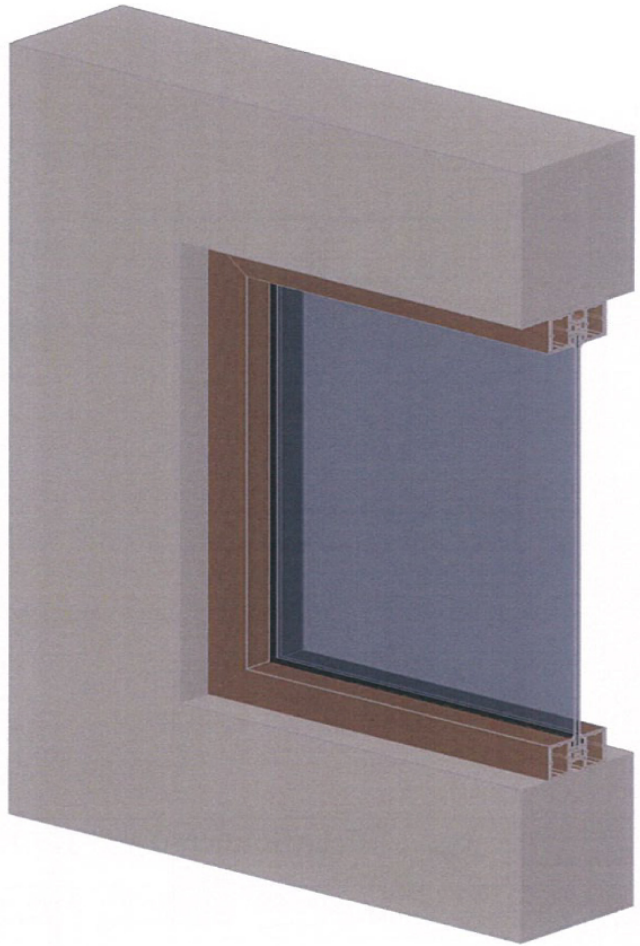
UNIT: MM	PROJECTION THIRD ANGLE	 <b>PT. LATRADEBATAMINDONESIA</b>	
DRAWN: RIFALDI	CLIENT: GRM	TITLE: DOOR FRAME DF10030, DFC04565 & DFS03025	
DATE: 24/12/2015	NO OF CAVITY: -	MODEL: INSTALLATION GUIDE	
CHECKED:	EST.WT(KG): -	MAT'L: -	PART NO: -
DO NOT SCALE DWG	TYPE OF M/C: -	SHRINKAGE: -	SCALE NTS    SHT OF


Drawing change without notice



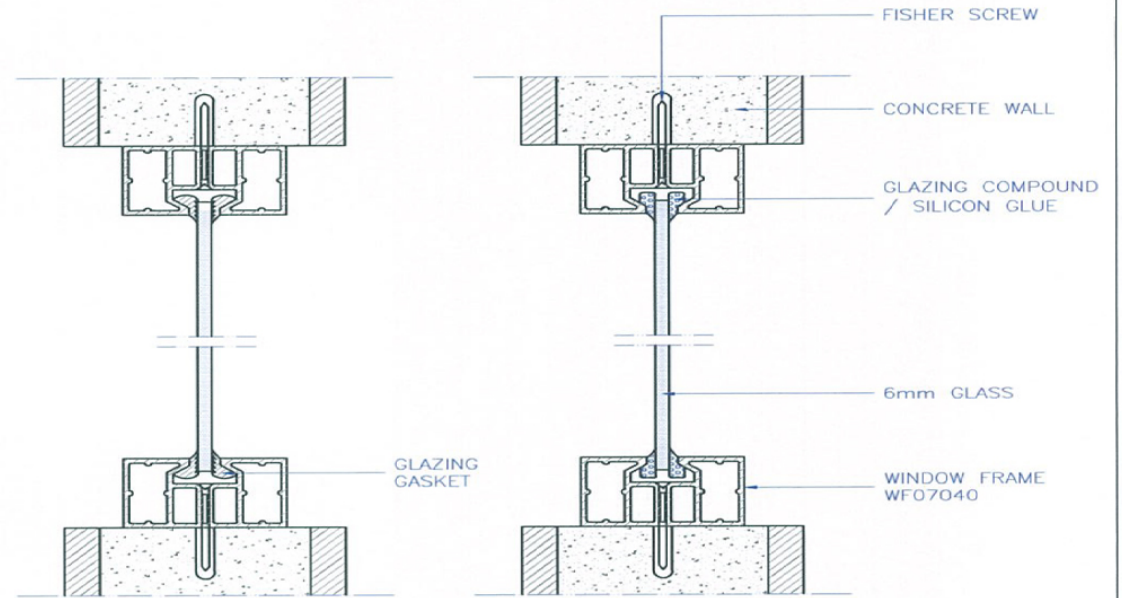
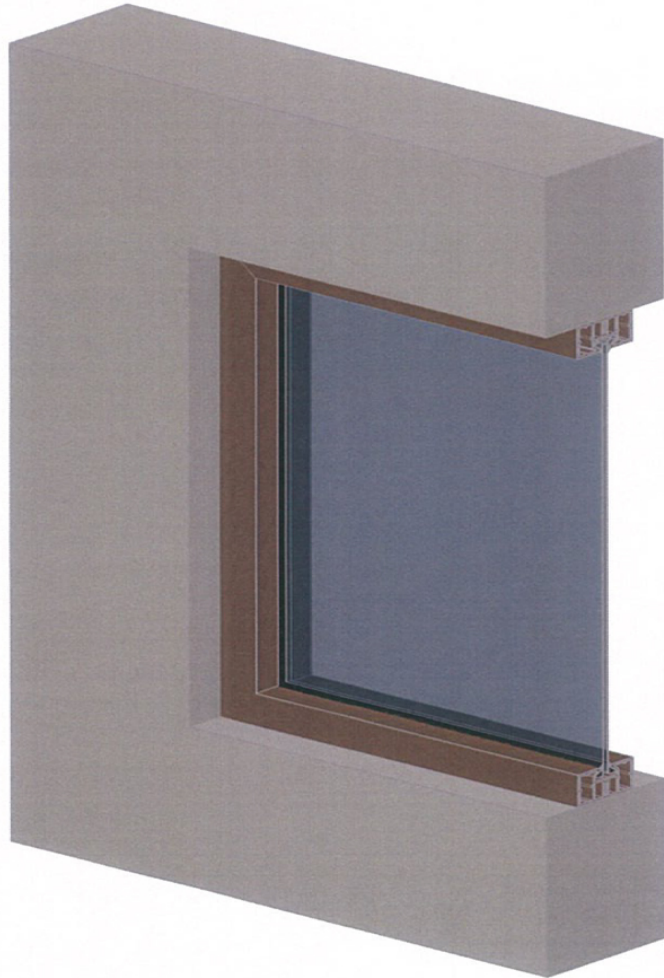
UNIT: MM	PROJECTION THIRD ANGLE	 <b>PT. LATRADE BATAM INDONESIA</b>	
DRAWN: RIFALDI	CLIENT: GRM		
DATE: 18/06/2016	NO OF CAVITY: —	TITLE: INSTALLATION GUIDE of MODEL: WINDOW FRAME WF10245	
CHECKED:	EST.WT(KG): —	MAT'L: —	
DO NOT SCALE DWG	TYPE OF M/C: —	SHRINKAGE: —	
		PART NO: —	
		SCALE NTS	SHT OF


Drawing change without notice



UNIT: MM	PROJECTION THIRD ANGLE	 PT. LATRADE BATAM INDONESIA
DRAWN: RIFALDI	CLIENT: GRM	TITLE: INSTALLATION GUIDE of
DATE: 18/06/2016	NO OF CAVITY: —	MODEL: WINDOW FRAME WF07545
CHECKED:	EST.WT(KG): —	MAT'L: —
DO NOT SCALE DWG	TYPE OF M/C: —	SHRINKAGE: —
		PART NO: —
		SCALE NTS
		SHT OF

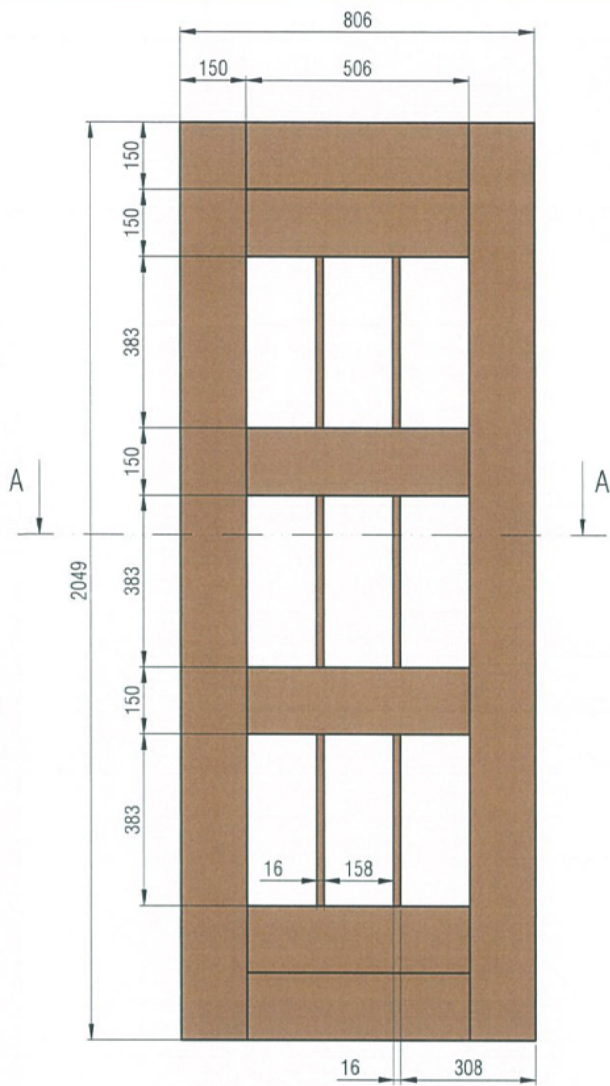
Drawing change without notice



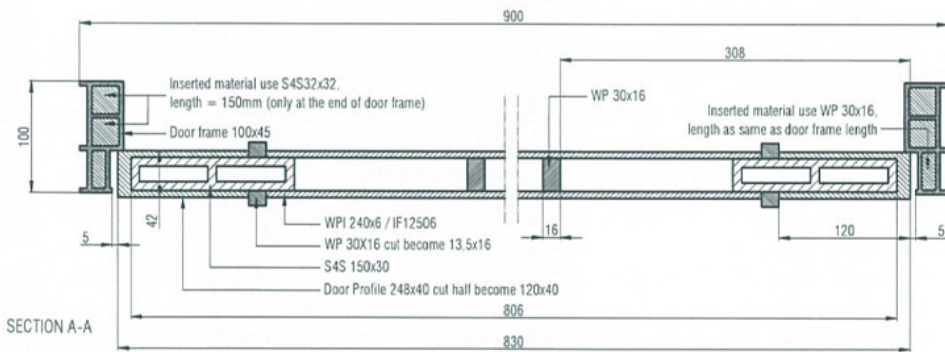
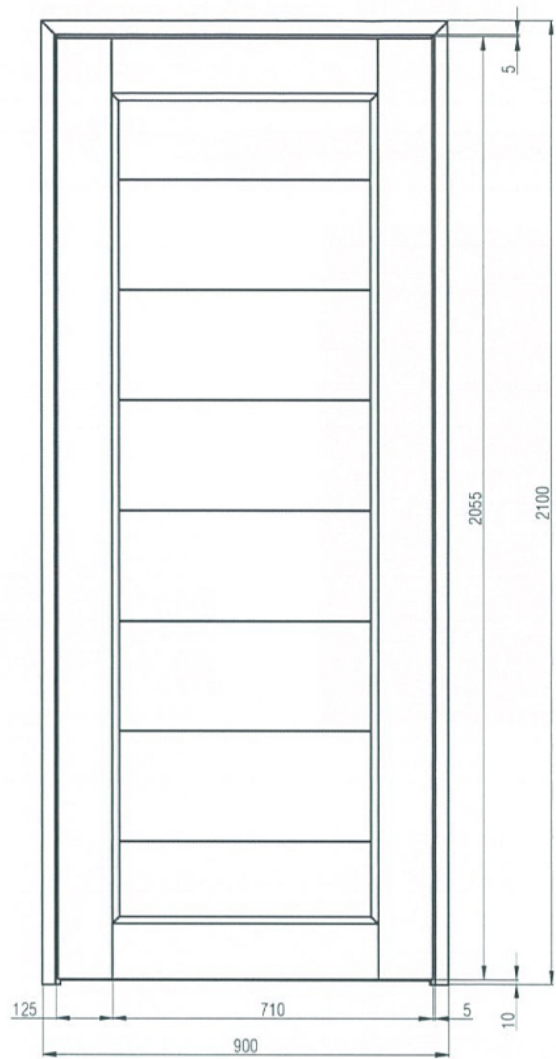
UNIT: MM	PROJECTION THIRD ANGLE	 <b>PT. LATRADE BATAM INDONESIA</b>	
DRAWN: RIFALDI	CLIENT: GRM	TITLE: INSTALLATION GUIDE of	
DATE: 18/06/2016	NO OF CAVITY: —	MODEL: WINDOW FRAME WF07040	
CHECKED:	EST.WT(KG): —	MAT'L: —	PART NO: —
DO NOT SCALE DWG	TYPE OF M/C: —	SHRINKAGE: —	SCALE NTS    SHIT OF


**Drawing change without notice**



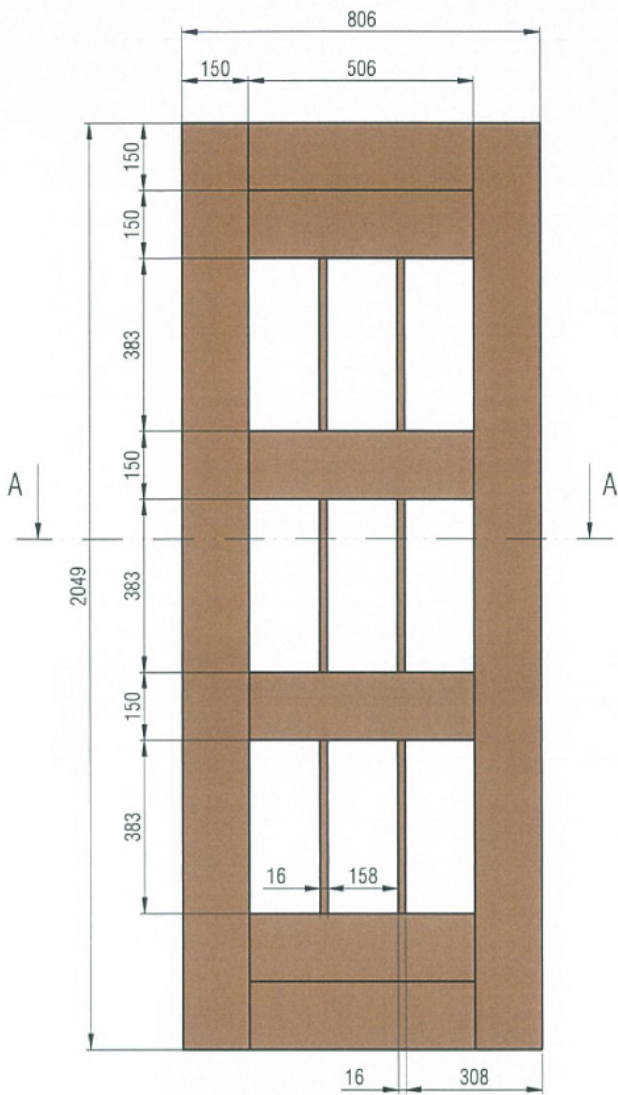


Frame door for door frame 900X2100mm

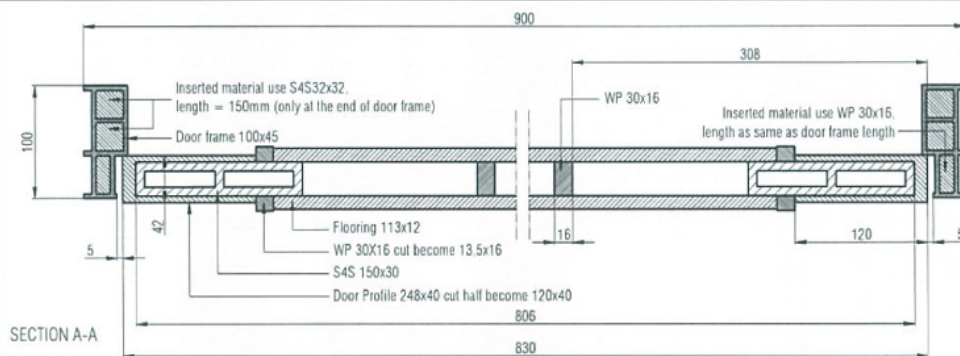
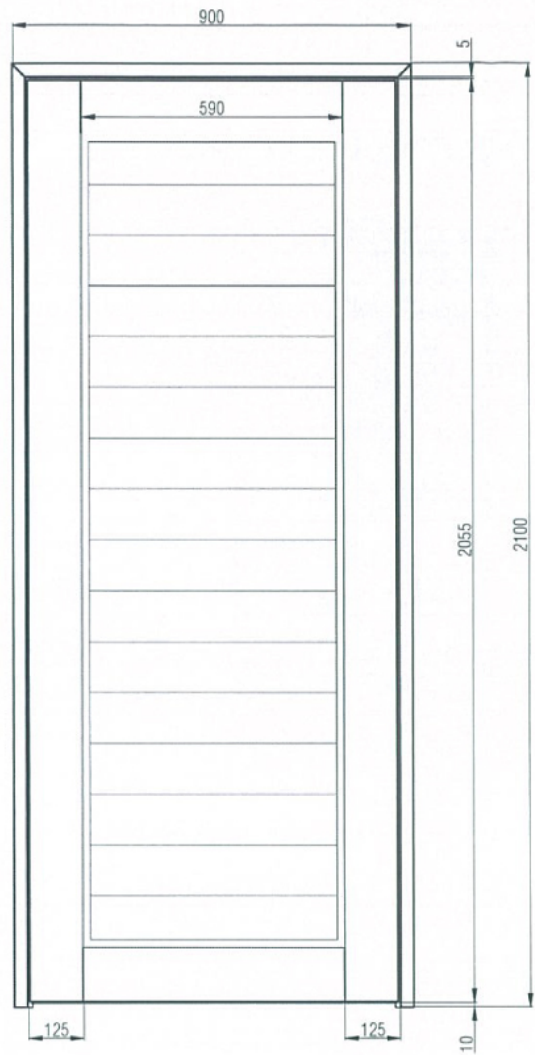



UNIT: MM	PROJECTION -	 <b>PT. LATRADEBATAMINDONESIA</b>	
DRAWN RIFALDI	CLIENT: GRM	TITLE: DOOR with DOOR FRAME 900x2100mm	
DATE 8/05/2012	NO OF CAVITY: -	CODE: MODEL 1	
CHECKED:	EST.WT(KG): -	MATL: -	PART NO. -
DO NOT SCALE DWG	TYPE OF M/C: -	SHRINKAGE -	SCALE NTS    SHIT OF

Drawing change without notice



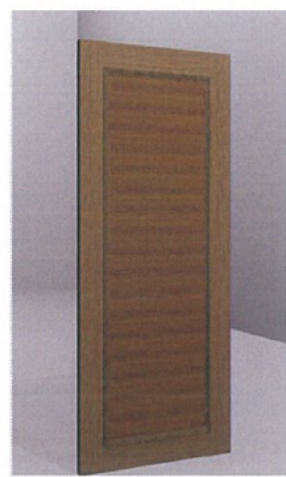
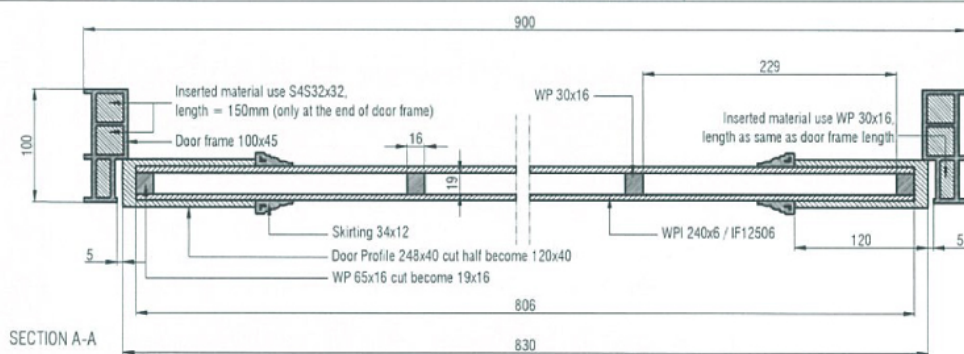
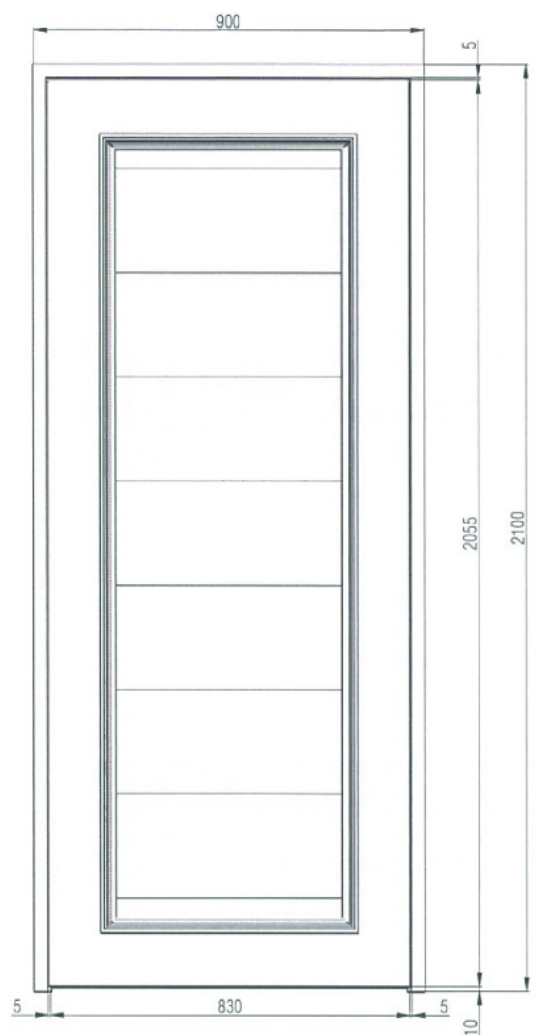
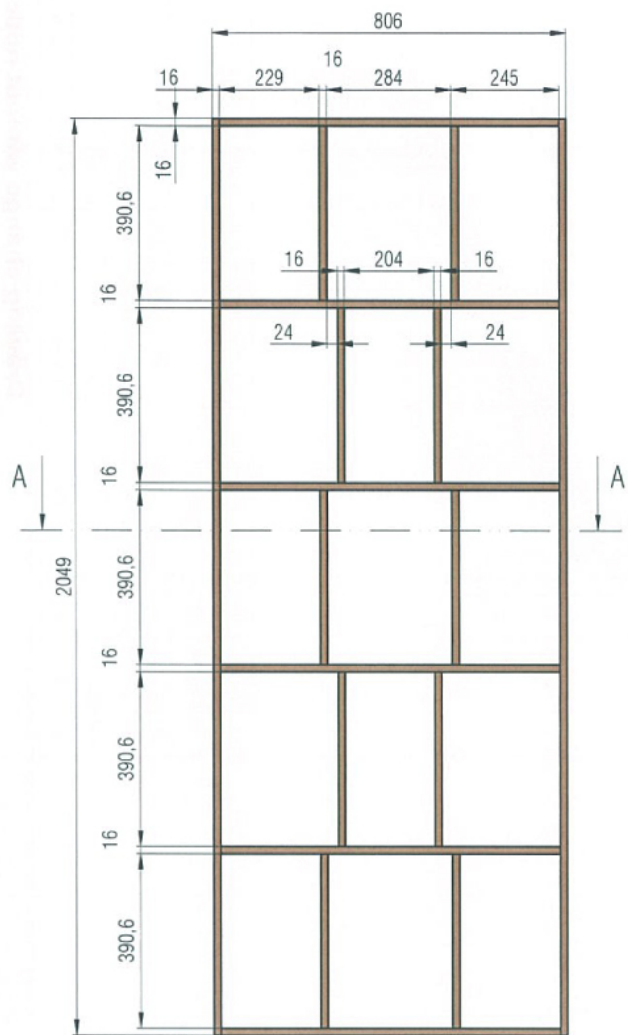
Frame door for door frame 900X2100mm




UNIT: MM	PROJECTION -	 <b>PT. LATRADEBATAMINDONESIA</b>	
DRAWN RIFALDI	CLIENT GRM	TITLE DOOR with DOOR FRAME 900x2100mm	
DATE 8/05/2012	NO OF CAVITY -	CODE MODEL 2	
CHECKED	EST WT(KG) -	MATL -	PART NO. -
DO NOT SCALE DWG	TYPE OF M/C -	SHRINKAGE -	SCALE NTS
			SHT OF

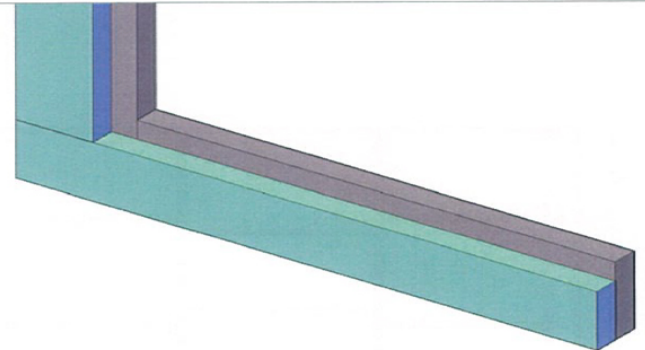
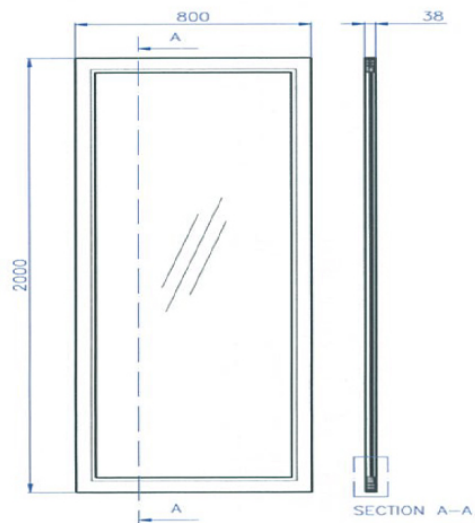
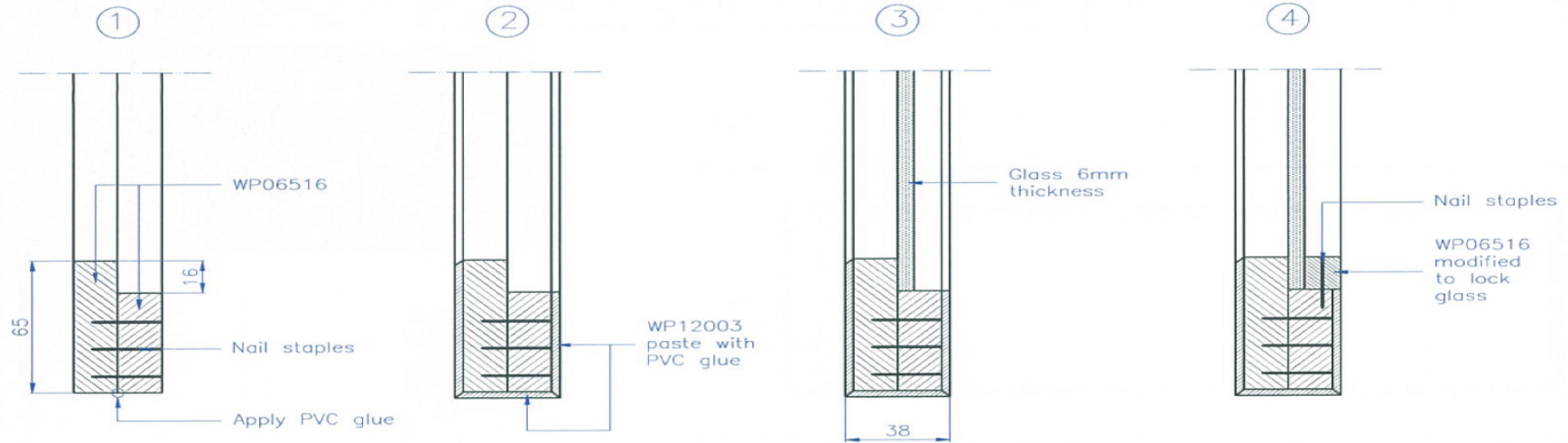
Drawing change without notice

Copyright © PT. LATRADEBATAMINDONESIA



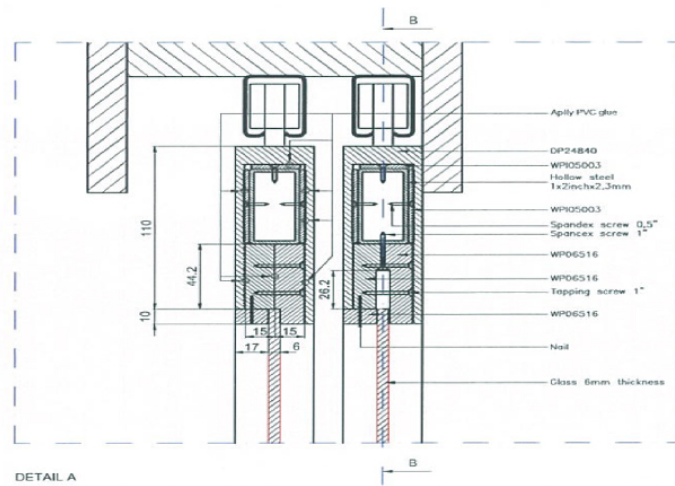
UNIT: MM	PROJECTION -	 <b>PT. LATRADEBATAMINDONESIA</b>	
DRAWN: RIFALDI	CLIENT: GRM	TITLE DOOR with DOOR FRAME 900x2100mm	
DATE: 8/05/2012	NO OF CAVITY: -	CODE MODEL 3	
CHECKED	EST WT(KG): -	MATL: -	PART NO. -
DO NOT SCALE DWG	TYPE OF M.C. -	SHRINKAGE -	SCALE NTS
			SHT OF

Drawing change without notice

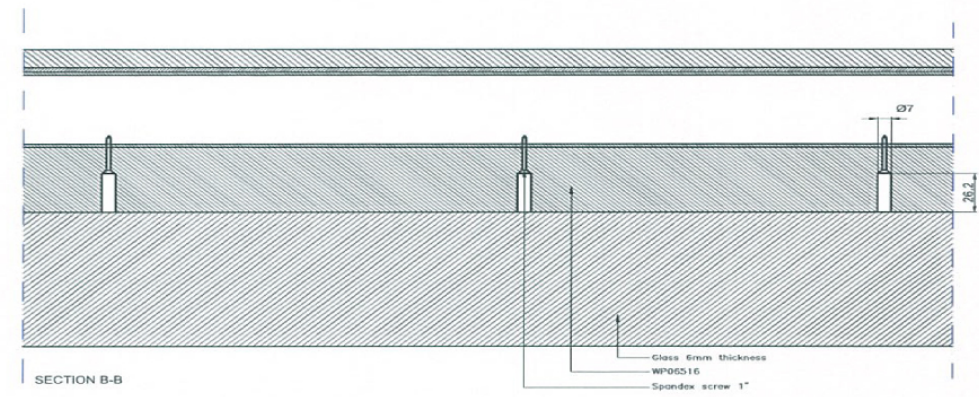


UNIT: MM	PROJECTION THIRD ANGLE	 <b>PT. LATRADE BATAM INDONESIA</b>		
DRAWN: RIFALDI	CLIENT: GRM	TITLE: INSTALLATION GUIDE of		
DATE: 07/10/2014	NO OF CAVITY: -	MODEL: DOOR with GLASS		
CHECKED:	EST.WT(KG): -	MAT'L: -	PART NO: -	
DO NOT SCALE DWG	TYPE OF M/C: -	SHRINKAGE: -	SCALE NTS	SHT 02 OF 05

Drawing change without notice

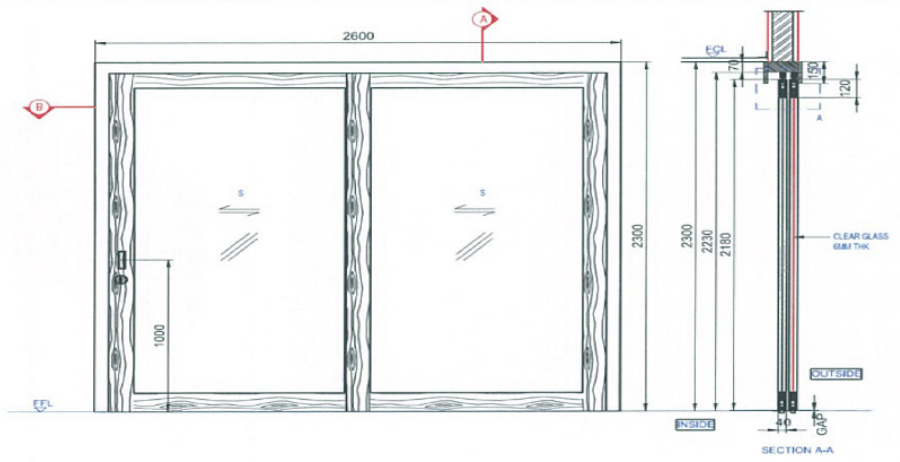


DETAIL A

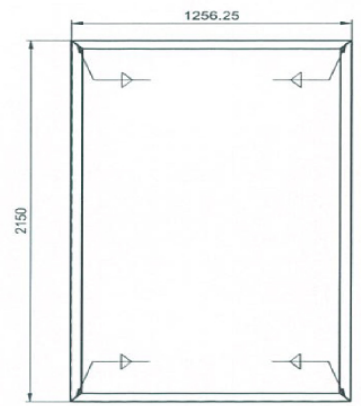


SECTION B-B

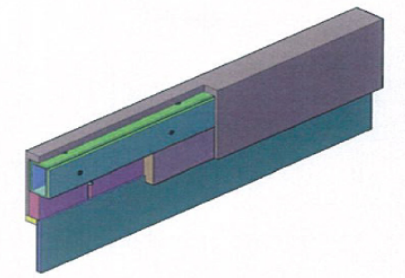
DETAIL A



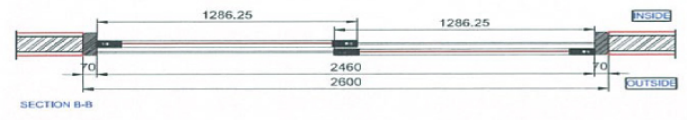
SECTION A-A



FRONT VIEW OF HOLLOW STEEL

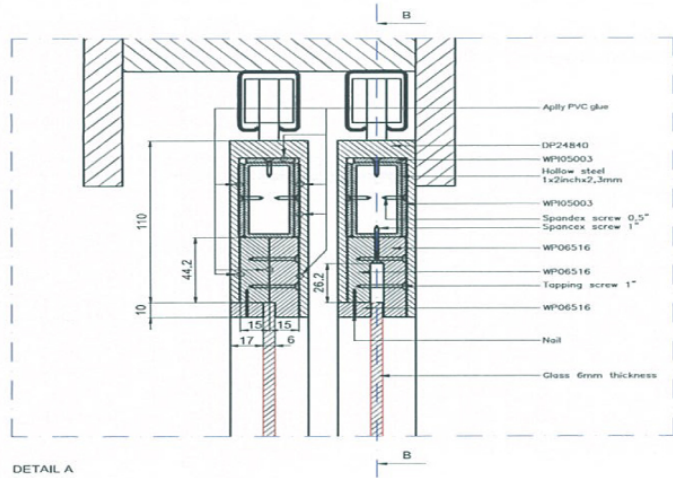


3D VIEW

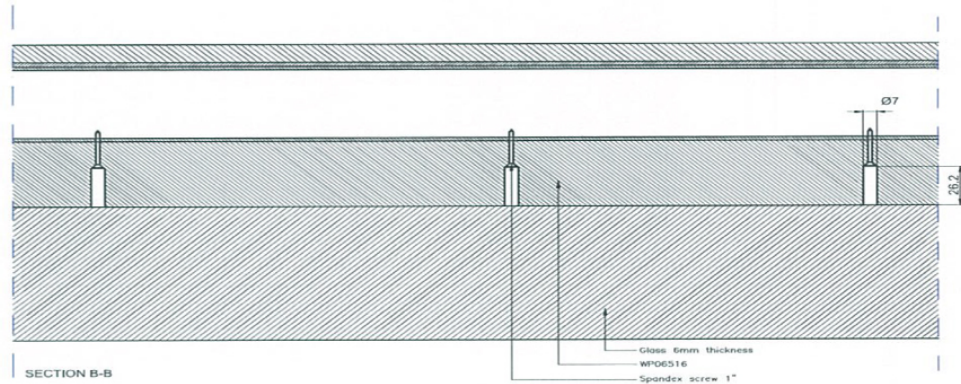


SECTION B-B

UNIT: MM	PROJECTION	PT. LATRADE BATAM INDONESIA			
DRAWN: RIFALDI	CLIENT: GRM	TITLE: SLIDING DOOR 2.6x2.3 METER			
DATE: 19/10/2013	NO OF CAVITY: -	CODE: -			
CHECKED: -	EST WT(KG): -	MATL: -	PART NO: -		
DO NOT SCALE DWG	TYPE OF MC: -	SHRINKAGE: -	SCALE: NTS	SHT OF	

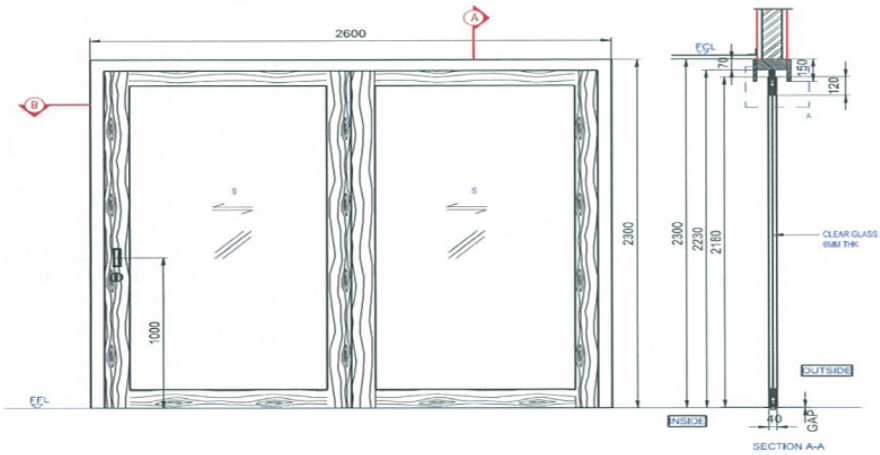


DETAIL A

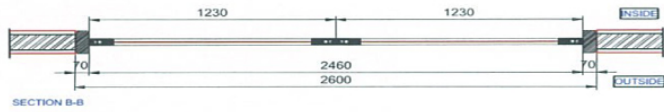


SECTION B-B

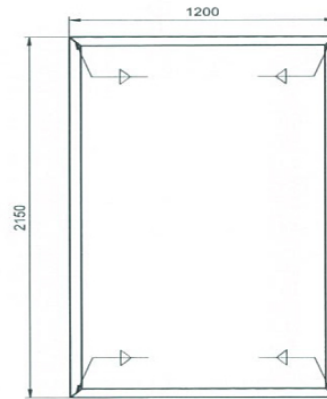
DETAIL A



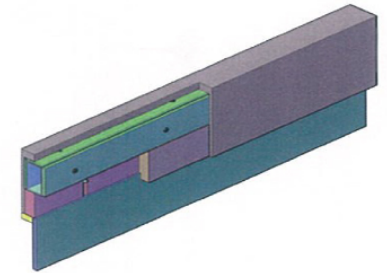
SECTION A-A



SECTION B-B



FRONT VIEW of HOLLOW STEEL



3D VIEW

UNIT: MM	PROJECTION	 <b>PT. LATRADE BATAM INDONESIA</b>			
DRAWN: RIFALDI	CLIENT: GRM	TITLE: FOLDING DOOR 2,6x2,3 METER			
DATE: 19/10/2013	NO OF CAVITY: -	CODE: -			
CHECKED: -	EST VTR(KG): -	MATL: -	PART NO: -	SCALE: NTS	
DO NOT SCALE DWG	TYPE OF MC: -	SHRINKAGE: -	SCALE: NTS	SHT OF: -	

Drawing change without notice