
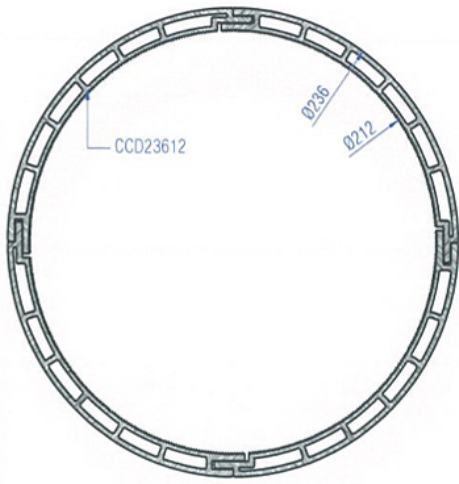
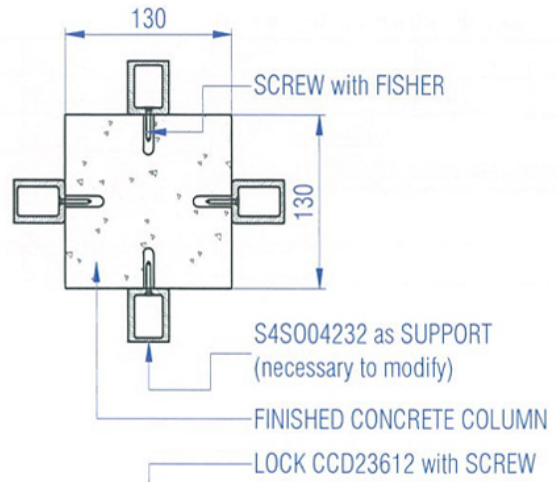


UNIT: MM	PROJECTION -	 <b>PT. LATRADE BATAM INDONESIA</b>		
DRAWN: RIFALDI	CLIENT: GRM	TITLE: COLUMN PANEL INSTALLATION GUIDE		
DATE: 13/11/2015	NO OF CAVITY: -	MODEL: CP27918		
CHECKED:	EST. WT(KG): -	MATL: -	PART NO.: -	
DO NOT SCALE DWG	TYPE OF M/C: -	SHRINKAGE: -	SCALE: NTS	SHT. OF

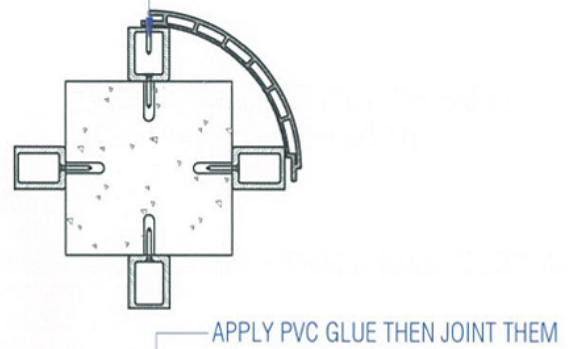
Drawing change without notice



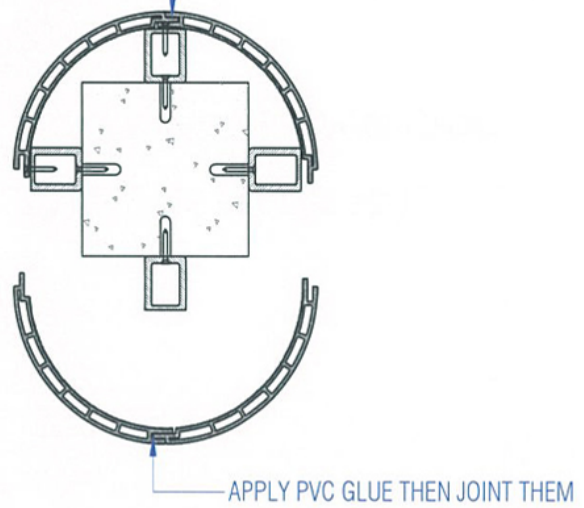
01



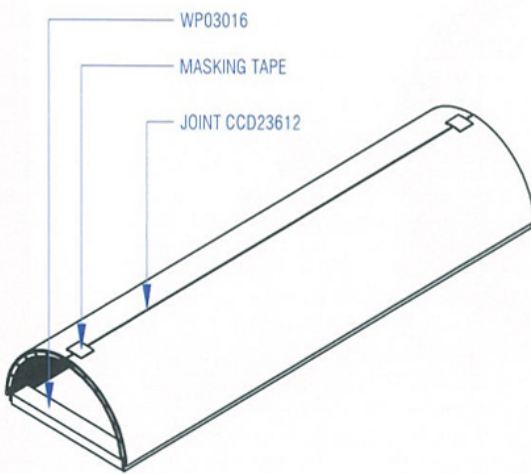
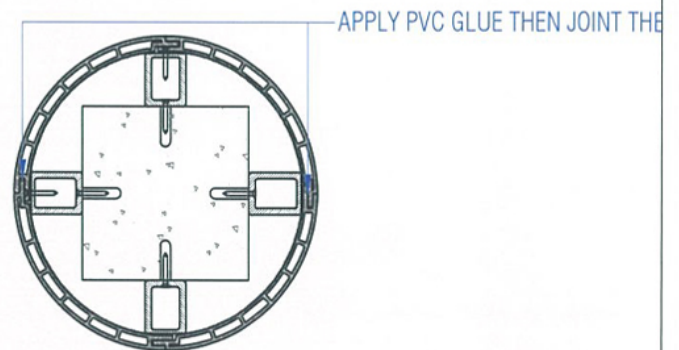
02



03



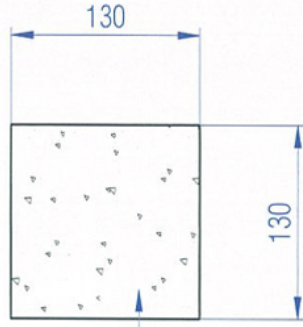
04



UNIT: MM	PROJECTION -				
DRAWN: RIFALDI	CLIENT: GRM	TITLE: COLUMN PANEL 236x12 INSTALLATION GUIDE		PART NO: -	
DATE: 12/07/2013	NO OF CAVITY: -	MODEL: WITHOUT CEMENT		SCALE NTS	
CHECKED:	EST. WT (KG): -	MATL: -	SHRINKAGE: -		
DO NOT SCALE DWG	TYPE OF M/C: -	SCALE NTS		SHT OF	

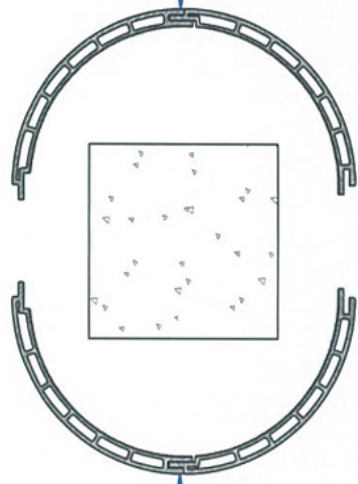
Drawing change without notice

01



FINISHED CONCRETE COLUMN

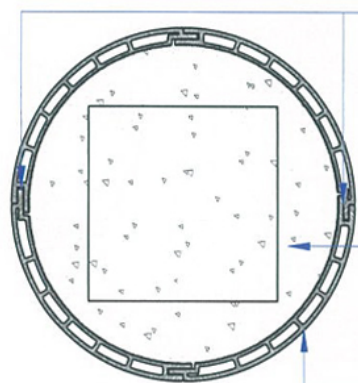
02



APPLY PVC GLUE THEN JOINT THEM

APPLY PVC GLUE THEN JOINT THEM

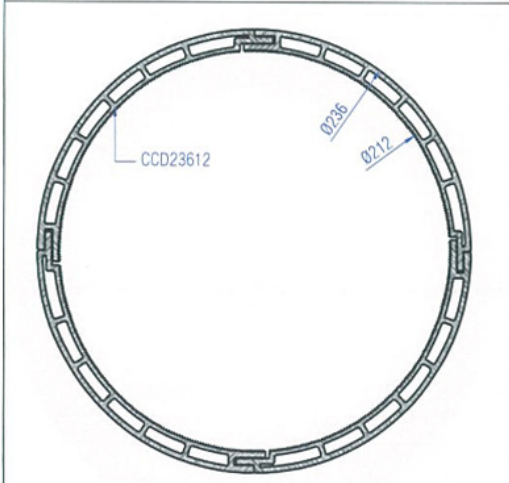
03



APPLY PVC GLUE THEN JOINT THEM

INSERT CEMENT into AREA INSIDE of COLUMN

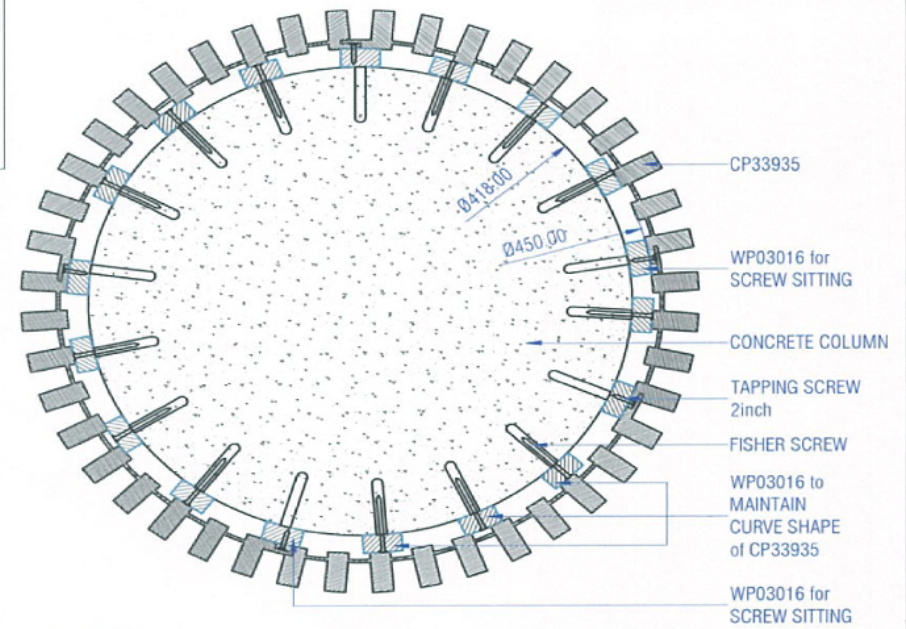
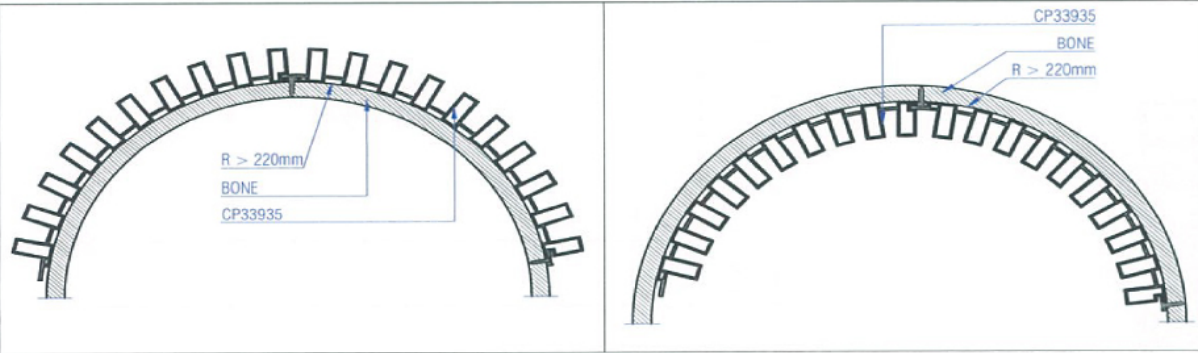
MUST DO WRAPPING to PROTECT OUTSIDE WOOD SURFACE from CEMENT



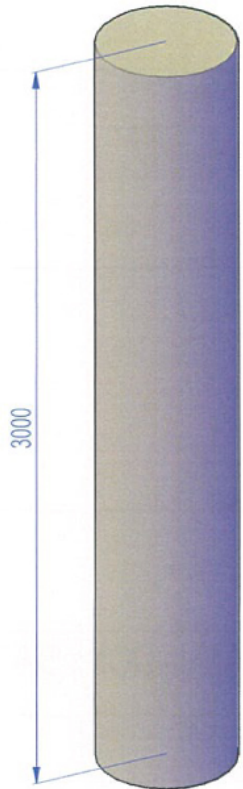
UNIT: MM	PROJECTION -				
DRAWN: RIFALDI	CLIENT: GRM	TITLE: COLUMN PANEL 236x12 INSTALLATION GUIDE		MODEL: WITH CEMENT	
DATE: 12/07/2013	NO OF CAVITY: -	MAT'L: -	PART NO: -		
CHECKED:	EST WT(KG): -	SHRINKAGE: -		SCALE: NTS	SHT OF
DO NOT SCALE DWG	TYPE OF M/C: -				

Drawing change without notice





TOP VIEW




01. CONCRETE COLUMN



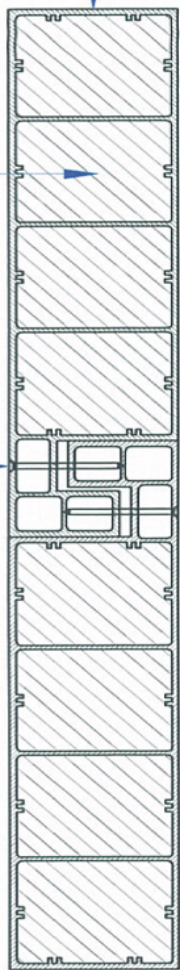
02. INSTALL WP03016



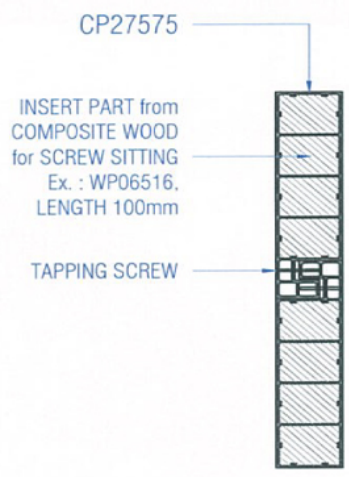
03. INSTALL CP33935

UNIT: MM	PROJECTION	 <b>PT. LATRADE BATAM INDONESIA</b>		
DRAWN: RIFALDI	CLIENT: GRM	TITLE: COLUMN PANEL INSTALLATION GUIDE		
DATE: 15/06/2016	NO OF CAVITY: -	MODEL: CP33935		
CHECKED:	EST.WT(KG): -	MATL: -	PART NO: -	
DO NOT SCALE DWG	TYPE OF M/C: -	SHRINKAGE: -	SCALE: NTS	SHT OF

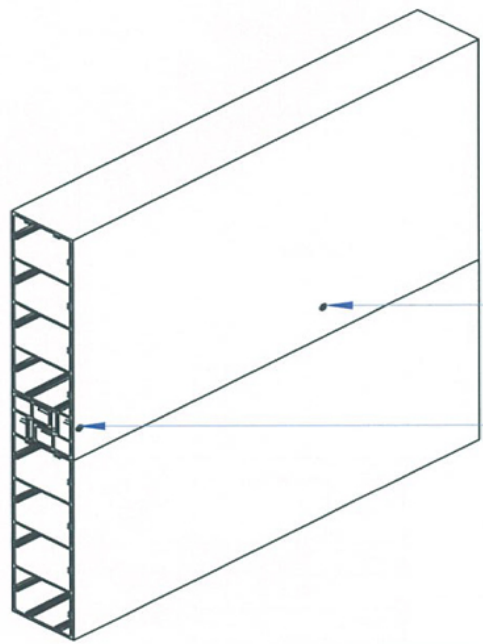
Drawing change without notice



SECTION A-A

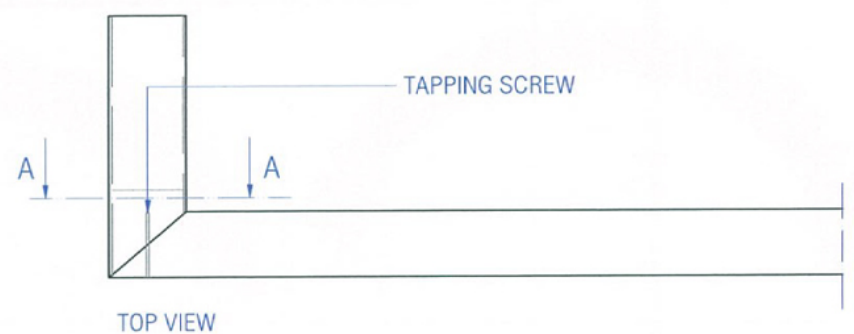


SECTION A-A

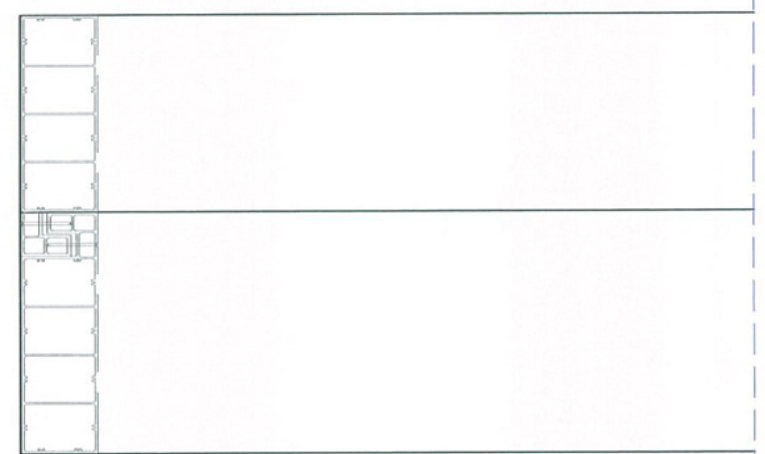


CP27575


HOLE DUE TO HEAD of SCREW CAN be COVERED by APPLY WOOD FILLER or APPLY DUST from CUTTING PROCESS of COMPOSITE WOOD MIXED with PVC GLUE, then APPLY COATING



TOP VIEW

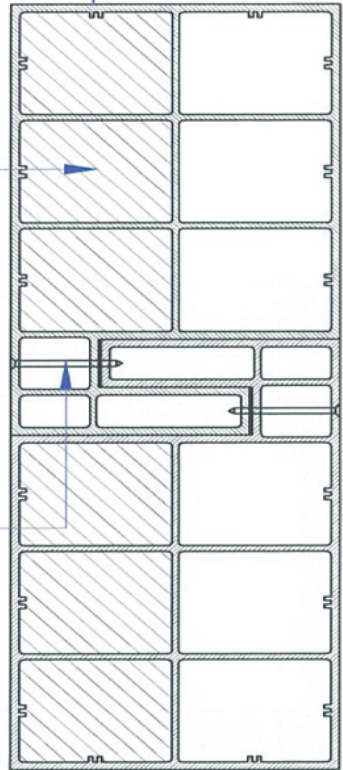


FRONT VIEW

UNIT: MM	PROJECTION -	 <b>PT. LATRADE BATAM INDONESIA</b>		
DRAWN: RIFALDI	CLIENT: GRM	TITLE: COLUMN PANEL INSTALLATION GUIDE		
DATE: 18/01/2016	NO OF CAVITY: -	MODEL: CP27575		
CHECKED:	EST WT(KG): -	MATL: -	PART NO: -	
DO NOT SCALE DWG	TYPE OF M/G: -	SHRINKAGE: -	SCALE NTS	SHT OF

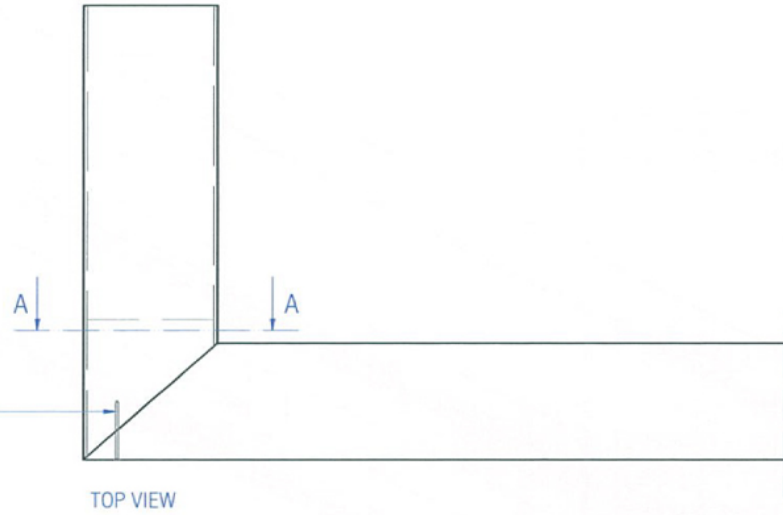
Drawing change without notice





SECTION A-A

TAPPING SCREW

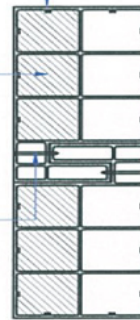


TOP VIEW

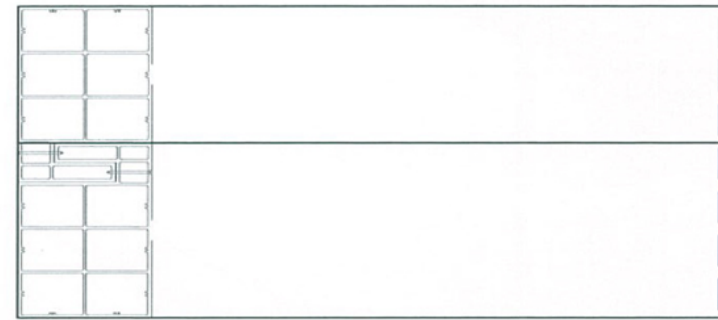
CP225150

INSERT PART from  
COMPOSITE WOOD  
for SCREW SITTING  
Ex. : WP06516,  
LENGTH 100mm


TAPPING SCREW



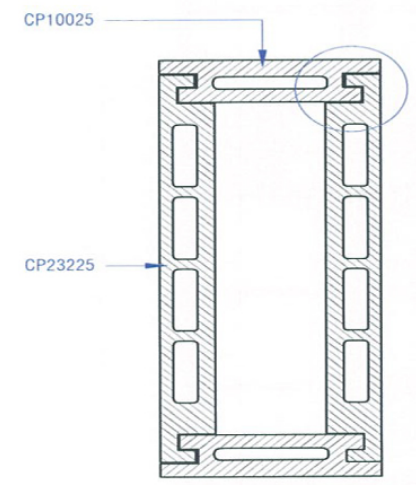
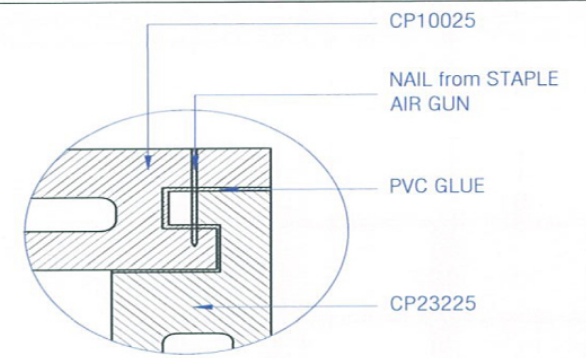
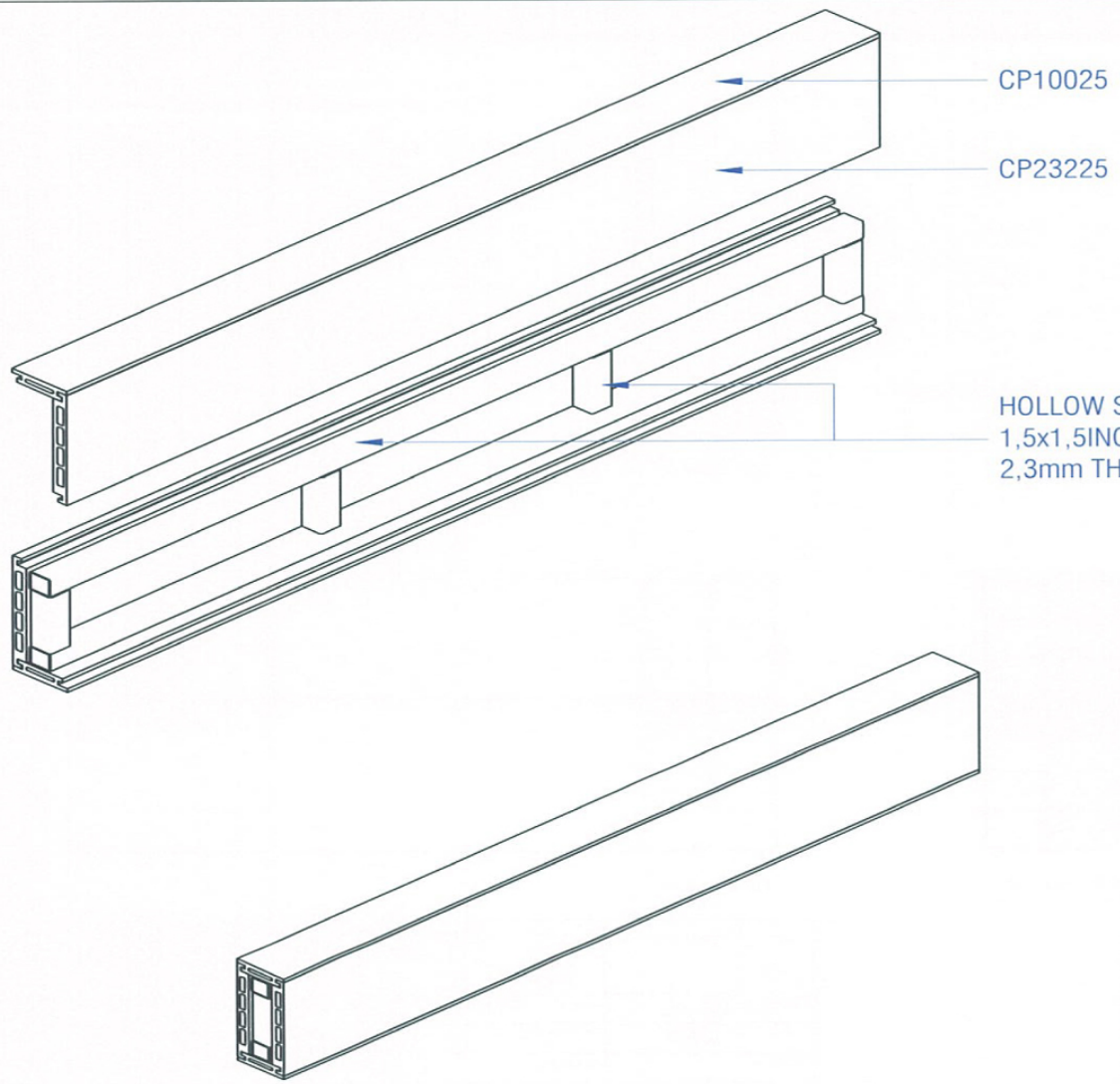
SECTION A-A




FRONT VIEW

UNIT: MM	PROJECTION -	 <b>PT. LATRADE BATAM INDONESIA</b>		
DRAWN: RIFALDI	CLIENT: GRM	TITLE: COLUMN PANEL INSTALLATION GUIDE		
DATE: 02/12/2014	NO OF CAVITY: -	MODEL: CP225150		
CHECKED:	EST.WT(KG): -	MATL: -	PART NO: -	
DO NOT SCALE DWG	TYPE OF M/C: -	SHRINKAGE: -	SCALE NTS	SHT OF

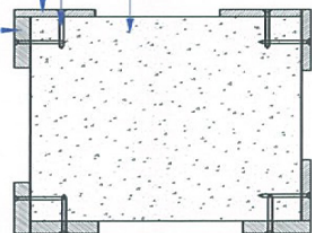
Drawing change without notice



UNIT: MM	PROJECTION -	 <b>PT. LATRADE BATAM INDONESIA</b>		
DRAWN: RIFALDI	CLIENT: GRM	TITLE: COLUMN PANEL INSTALLATION GUIDE		
DATE: 03/09/2012	NO OF CAVITY: -	MODEL: CP23225 & CP10025		
CHECKED:	EST WT(KG): -	MATL: -	PART NO: -	
DO NOT SCALE DWG	TYPE OF M/C: -	SHRINKAGE: -	SCALE NTS	SHT OF

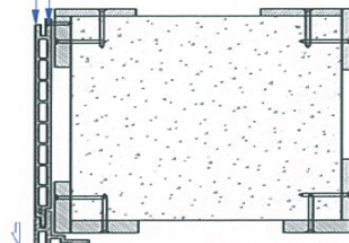
Drawing change without notice

WP 50x12 as BONE  
 WPI 60x7 as BONE  
 FISHER SCREW or  
 CONCRETE NAIL  
 CONCRETE COLUMN ex: 200x200



01

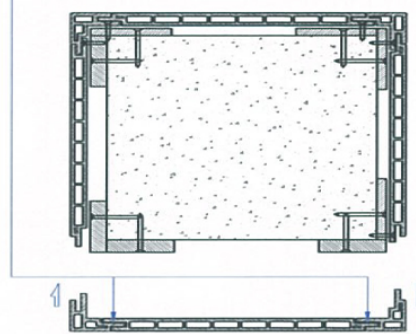
COLUMN PANEL 188x12  
 TAPPING SCREW  
 CPJ03030 as JIG



02

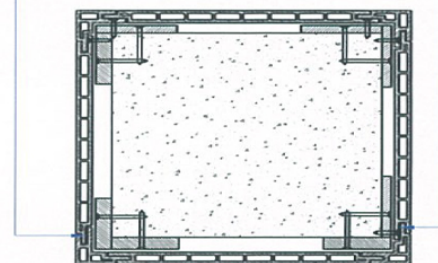
CONTINUE THE INSTALLATION

APPLY PVC GLUE




03

APPLY PVC GLUE

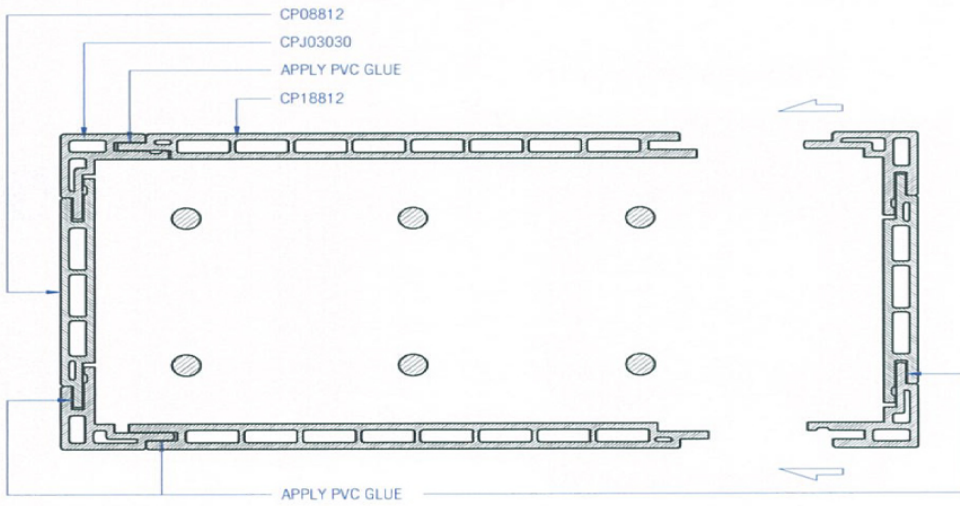


04

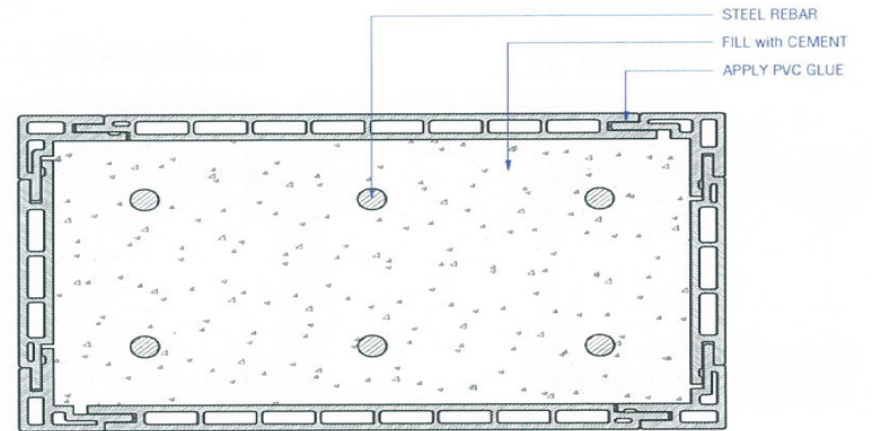
UNIT: MM	PROJECTION -	 <b>PT. LATRADE BATAM INDONESIA</b>	
DRAWN: RIFALDI	CLIENT: GRM	TITLE: COLUMN PANEL INSTALLATION GUIDE	
DATE: 03/09/2012	NO OF CAVITY: -	MODEL: CP18812 & CPJ03030	
CHECKED:	EST. WT (KG): -	MATL: -	PART NO: -
DO NOT SCALE DWG	TYPE OF M/C: -	SHRINKAGE: -	SCALE NTS
			SHT OF

Drawing change without notice






01

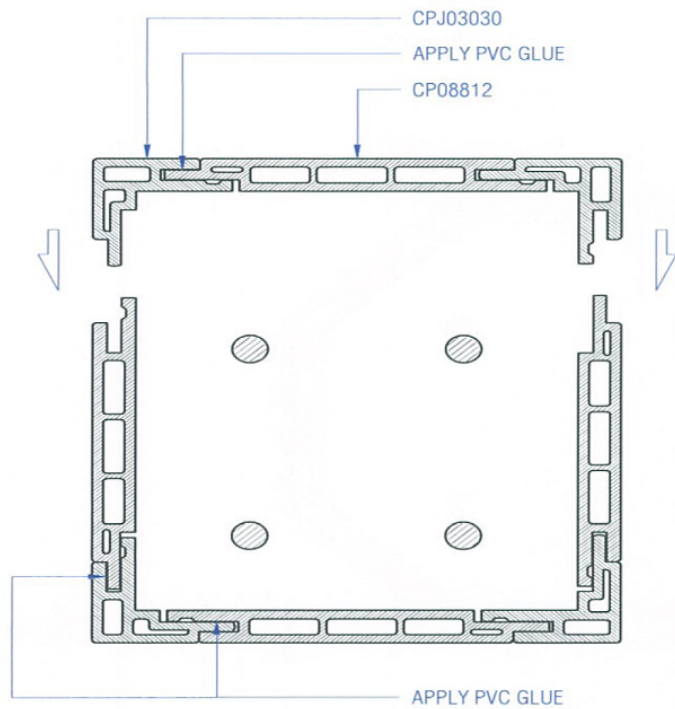


MUST DO WRAPPING to PROTECT  
OUTSIDE WOOD SURFACE from CEMENT

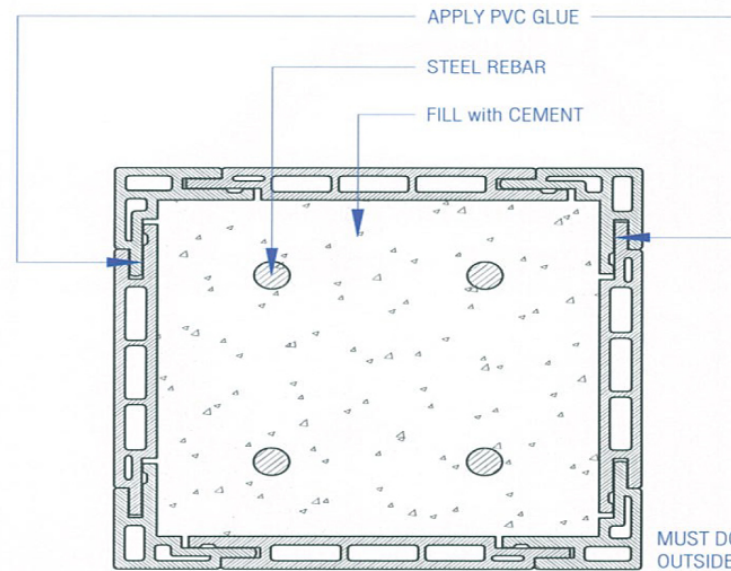
02

UNIT: MM	PROJECTION -	 <b>PT. LATRADE BATAM INDONESIA</b>		
DRAWN: RIFALDI	CLIENT: GRM	TITLE: COLUMN PANEL INSTALLATION GUIDE		
DATE: 03/09/2012	NO OF CAVITY: -	MODEL: CP08812, CP18812 & CPJ03030		
CHECKED:	EST WT(KG): -	MATL: -	PART NO: -	
DO NOT SCALE DWG	TYPE OF M/C: -	SHRINKAGE: -	SCALE: NTS	SHT OF

Drawing change without notice




01



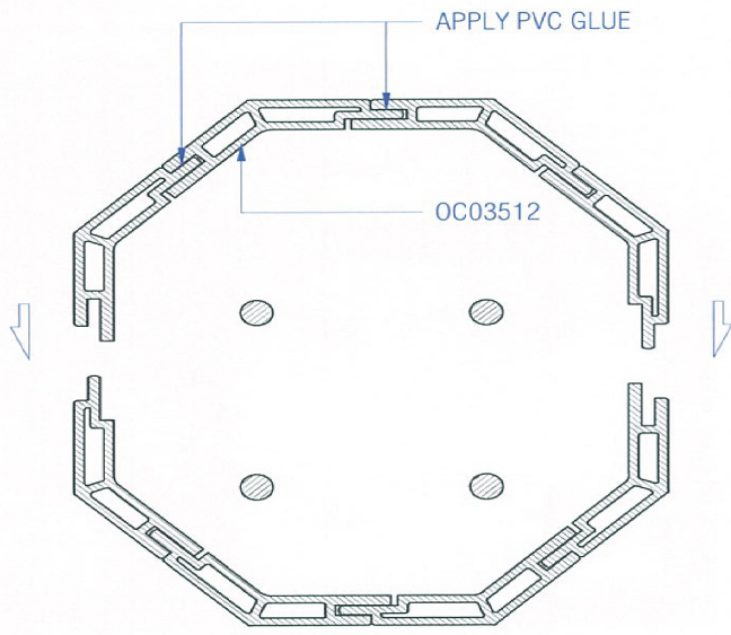
MUST DO WRAPPING to PROTECT OUTSIDE WOOD SURFACE from CEMENT

02

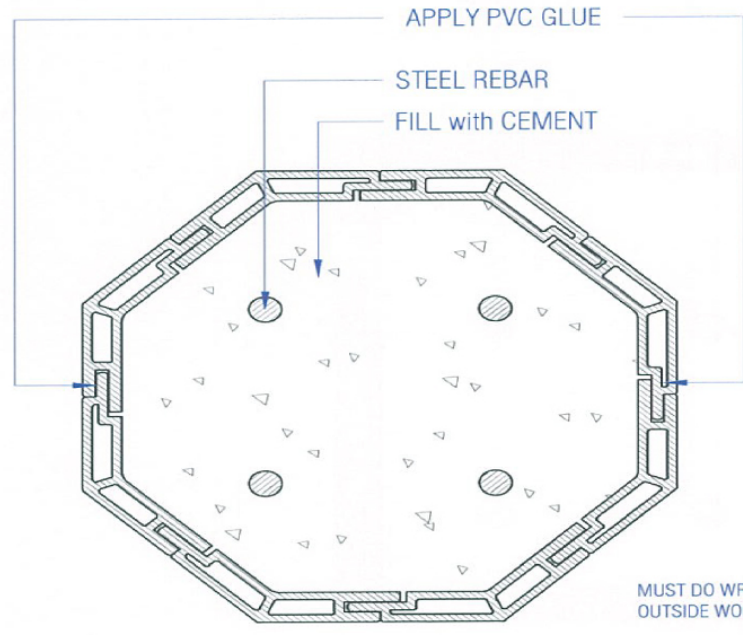
UNIT: MM	PROJECTION -	 <b>PT. LATRADE BATAM INDONESIA</b>		
DRAWN: RIFALDI	CLIENT: GRM	TITLE: COLUMN PANEL INSTALLATION GUIDE		
DATE: 03/09/2012	NO OF CAVITY: -	MODEL: CP08812 & CPJ03030		
CHECKED:	EST. WT(KG): -	MAT'L: -	PART NO: -	
DO NOT SCALE DWG	TYPE OF M/C: -	SHRINKAGE: -	SCALE NTS	SHT OF

Drawing change without notice






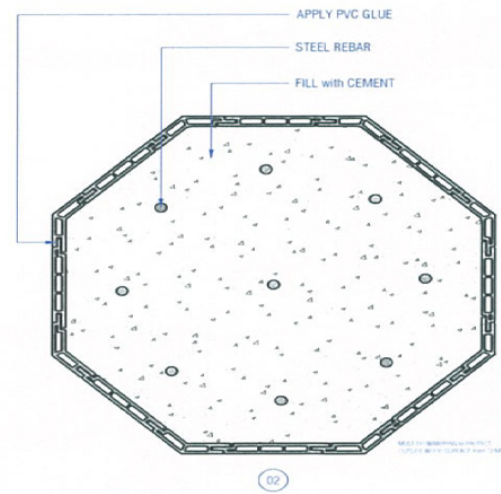
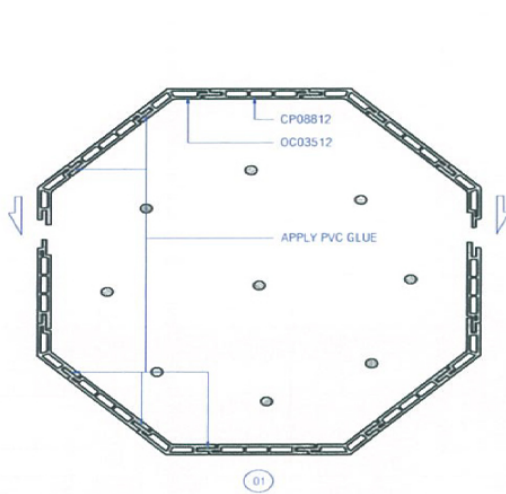
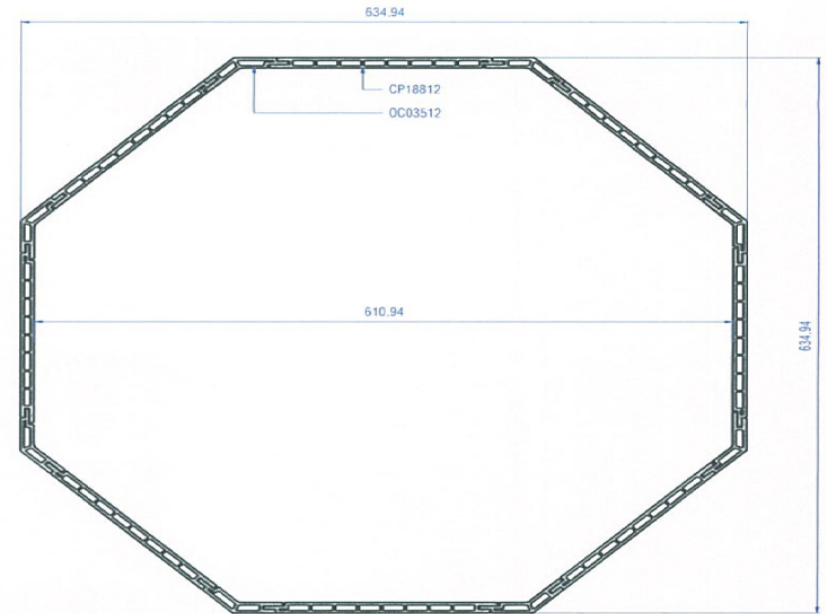
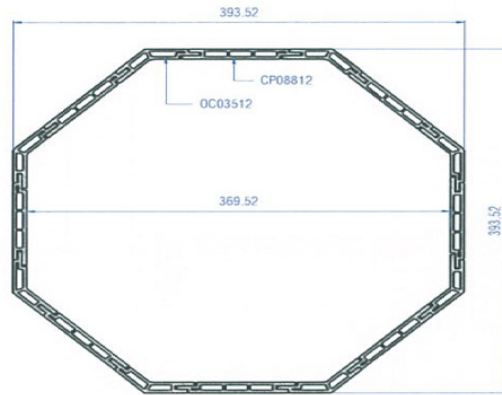
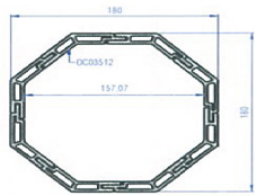
01




02

UNIT: MM	PROJECTION -	 <b>PT. LATRADE BATAM INDONESIA</b>		
DRAWN: RIFALDI	CLIENT: GRM	TITLE: COLUMN PANEL INSTALLATION GUIDE		
DATE: 03/09/2012	NO OF CAVITY: -	MODEL: OC03512		
CHECKED: -	EST WT(KG): -	MATL: -	PART NO: -	
DO NOT SCALE DWG	TYPE OF M/C: -	SHRINKAGE: -	SCALE NTS	SHT OF

Drawing change without notice



UNIT: MM	PROJECTION	 <b>PT. LATRADE BATAM INDONESIA</b>			
DRAWN: RIFALDI	CLIENT: GRM	TITLE: COLUMN PANEL INSTALLATION GUIDE		MODEL: OC03512 + CP08812 + CP18812	
DATE: 18/01/2016	NO OF CAVITY: -	MATL: -	PART NO: -	SCALE: NTS	
CHECKED:	EST. WT (KG): -	TYPE OF M/C: -	SHRINKAGE: -	SCALE: NTS	SHT OF
DO NOT SCALE DWG					

Drawing change without notice