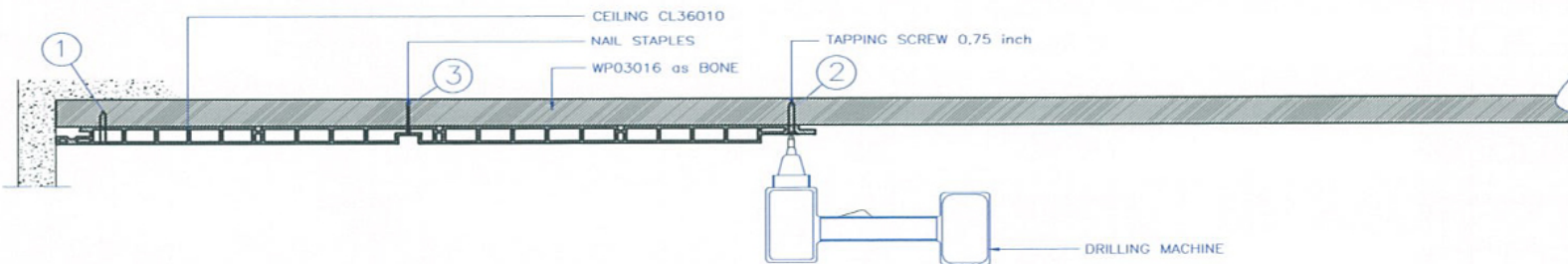
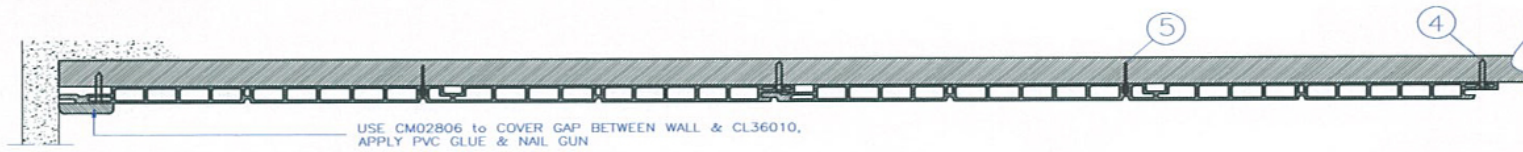
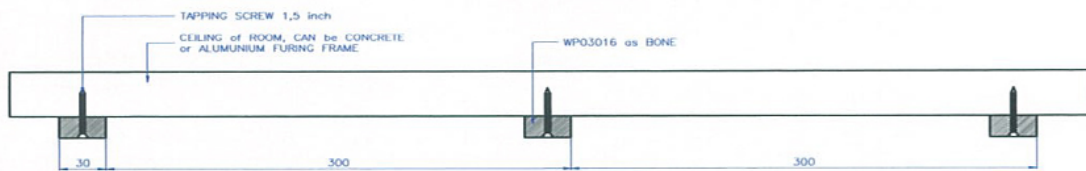
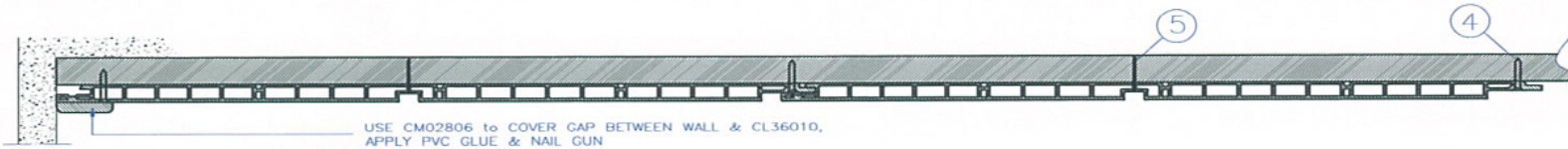



USE 1st SURFACE FRONT VIEW



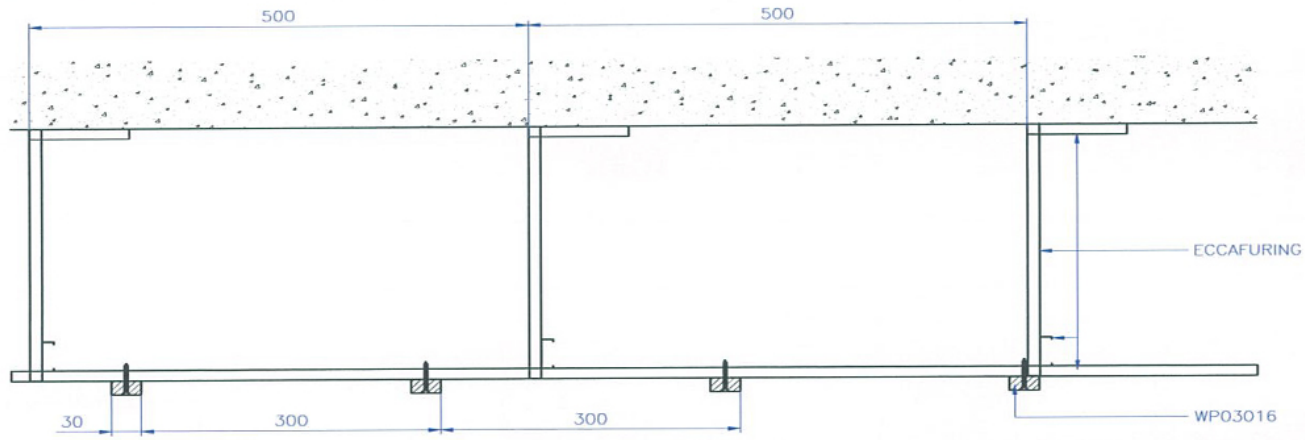
USE 2nd SURFACE FRONT VIEW



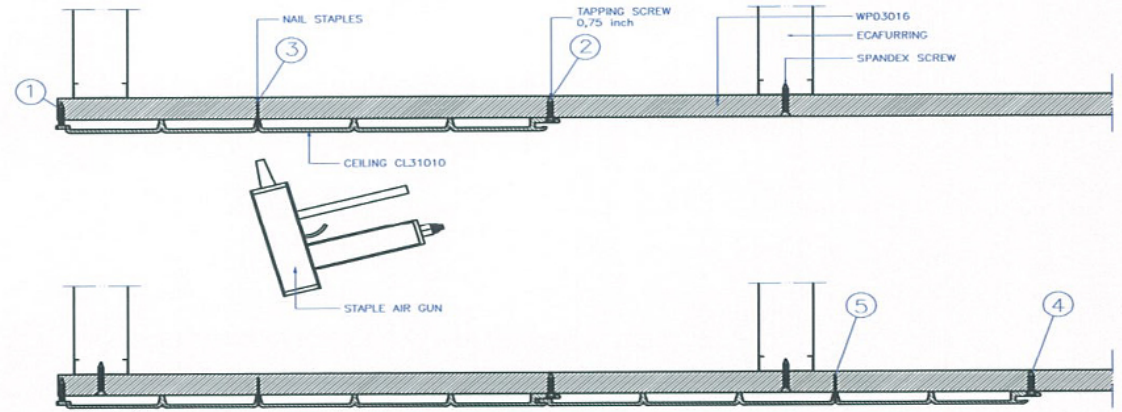
LEFT SIDE VIEW

UNIT: MM	PROJECTION THIRD ANGLE	 PT. LATRADE BATAM INDONESIA	
DRAWN: RIFALDI	CLIENT: GRM	TITLE: CEILING 360x10	
DATE: 18/01/2016	NO OF CAVITY: -	MODEL: INSTALLATION GUIDE	
CHECKED:	EST.WT(KG): -	MAT'L: -	PART NO: -
DO NOT SCALE DWG	TYPE OF M/C: -	SHRINKAGE: -	SCALE NTS
			SHT OF

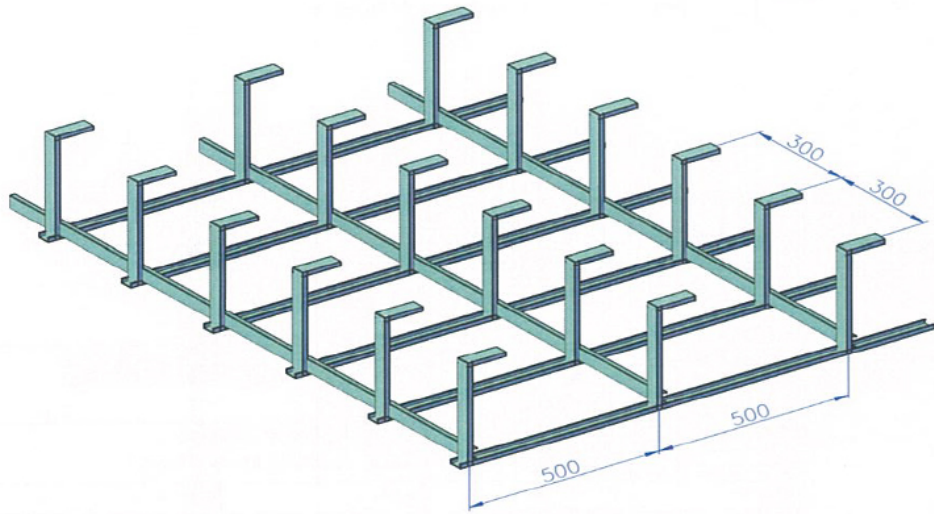
Drawing change without notice




FRONT VIEW



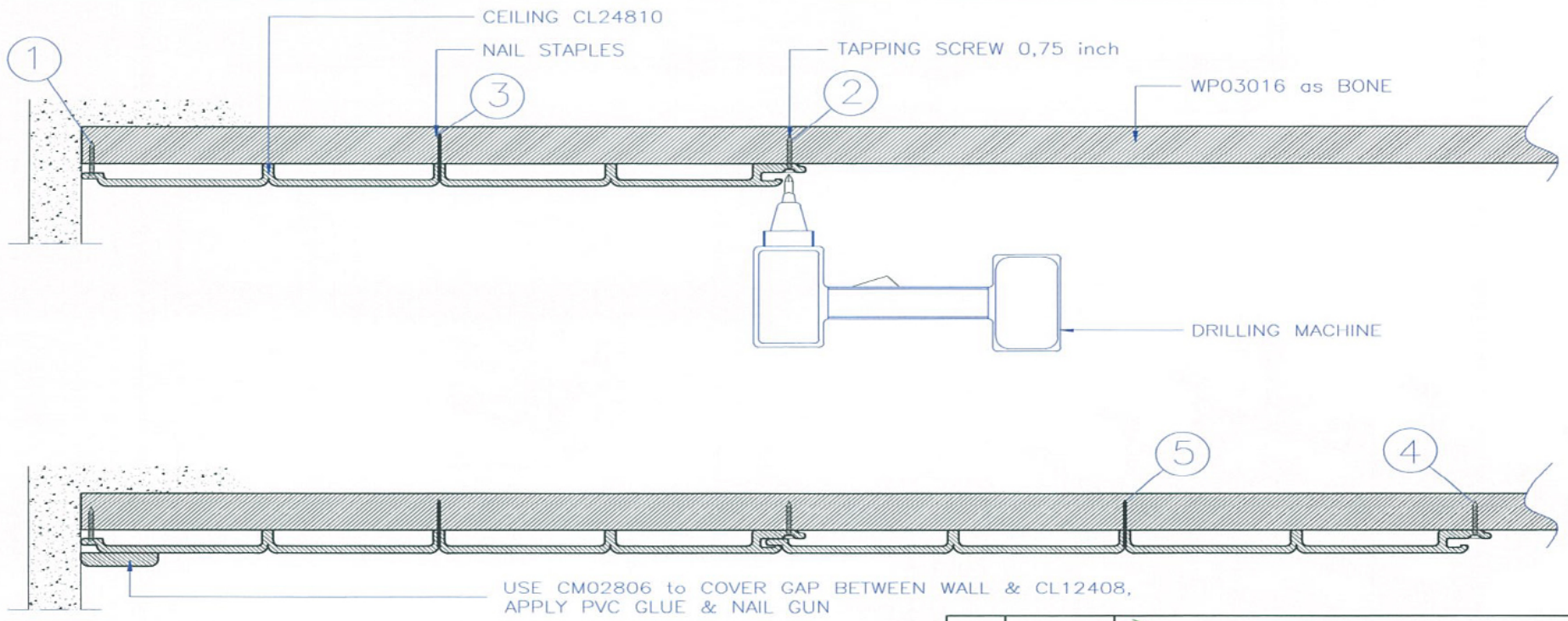
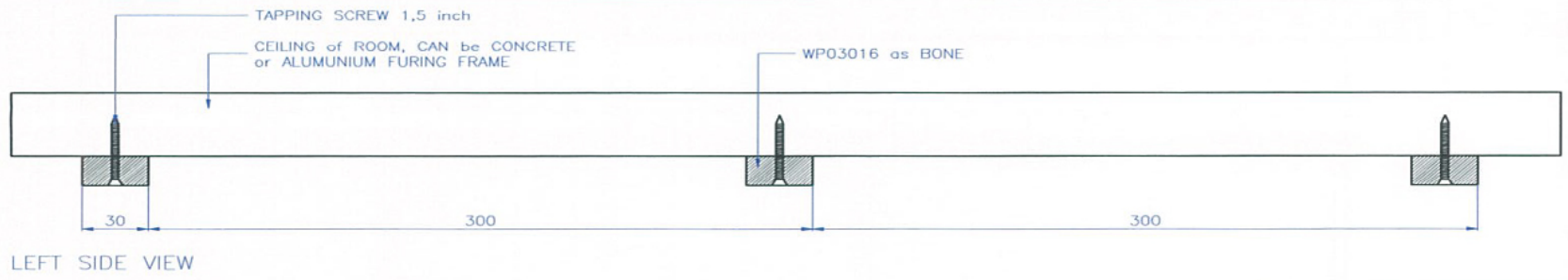
SIDE VIEW




ECAFURING LAYOUT

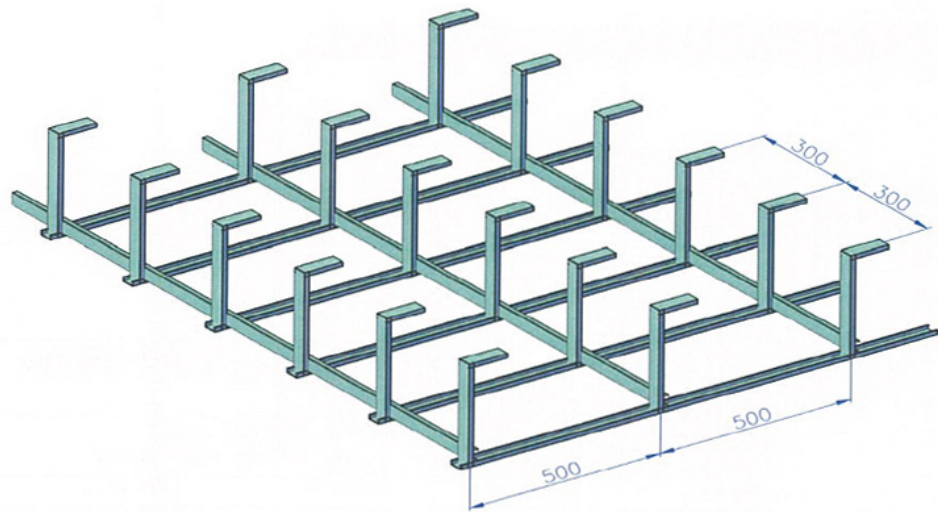
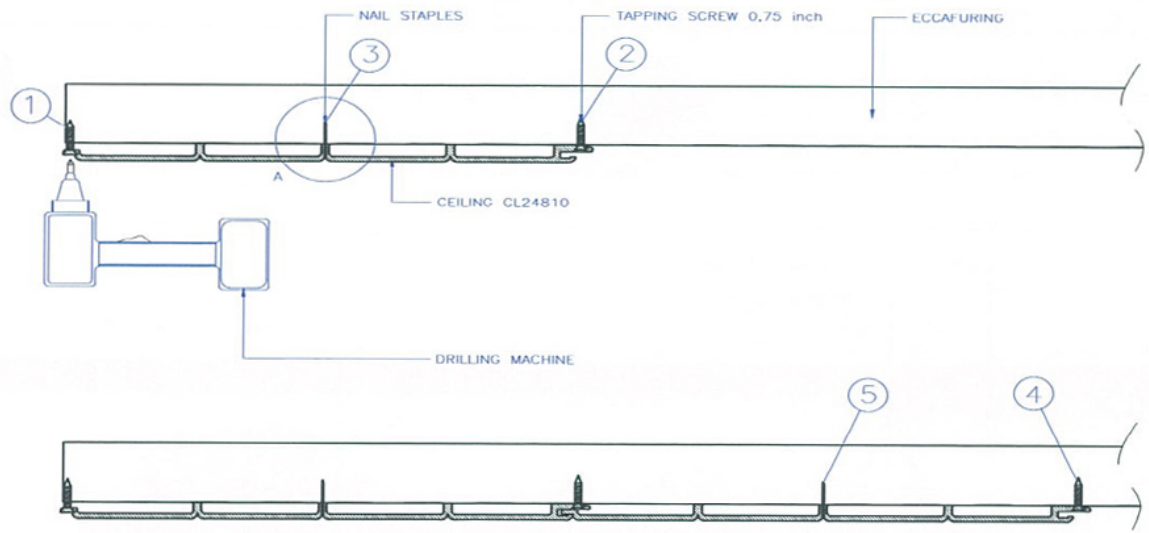
UNIT: MM	PROJECTION THIRD ANGLE	 PT. LATRADE BATAM INDONESIA			
DRAWN: RIFALDI	CLIENT: GRM	TITLE: CEILING 310x10 INSTALLATION		MODEL: GUIDE on ECAFURING	
DATE: 18/01/2016	NO OF CAVITY: -	MAT'L: -	PART NO: -		
CHECKED:	EST.WT(KG): -	SHRINKAGE: -	SCALE NTS	SHT OF	
DO NOT SCALE DWG	TYPE OF M/C: -				

Drawing change without notice



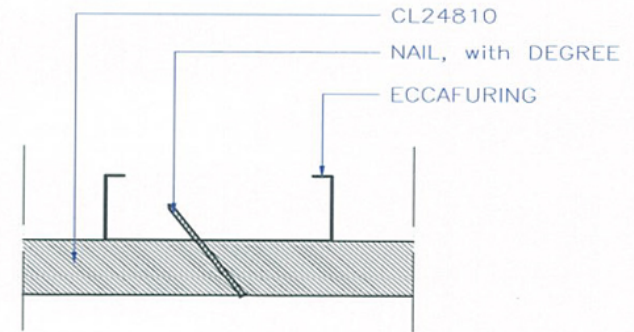
UNIT: MM	PROJECTION THIRD ANGLE	 PT. LATRADE BATAM INDONESIA	
DRAWN: IMANUEL	CLIENT: GRM	TITLE: CEILING 248x10	
DATE: 06/11/2015	NO OF CAVITY: -	MODEL: INSTALLATION GUIDE	
CHECKED:	EST.WT(KG): -	MAT'L: -	PART NO: -
DO NOT SCALE DWG	TYPE OF M/C: -	SHRINKAGE: -	SCALE NTS SHT OF


Drawing change without notice



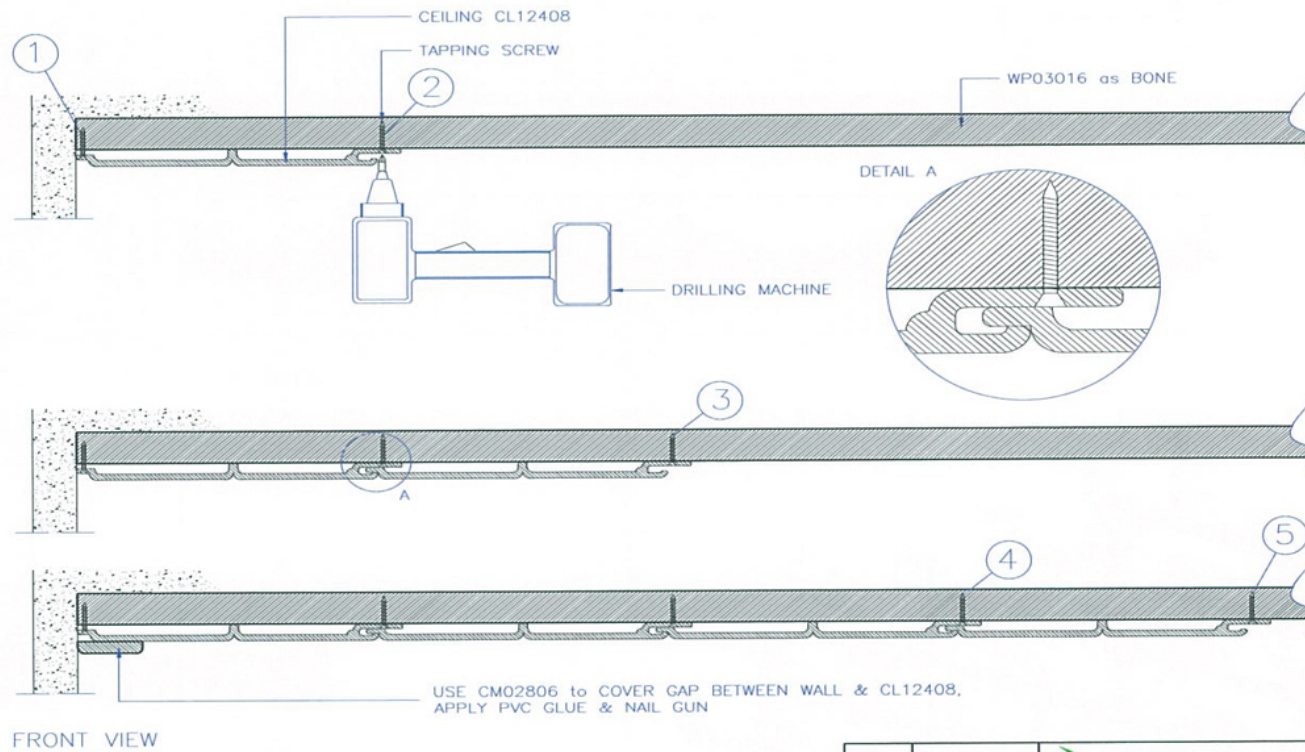
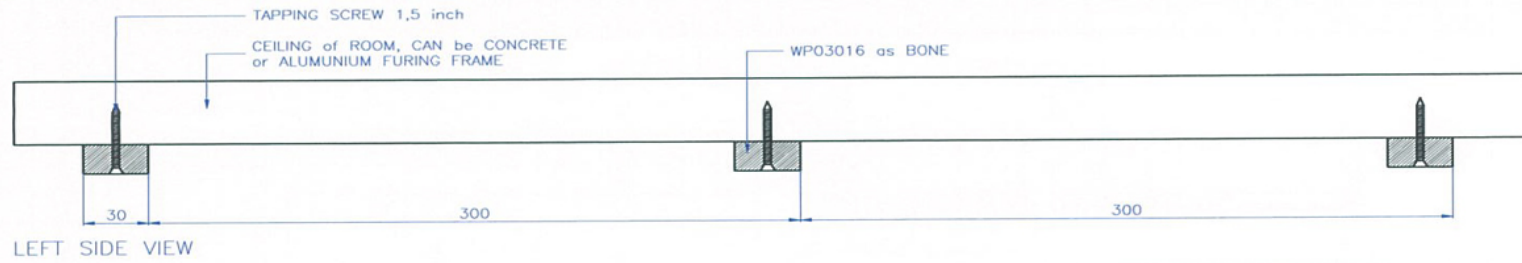
ECAFURING LAYOUT


DETAIL A



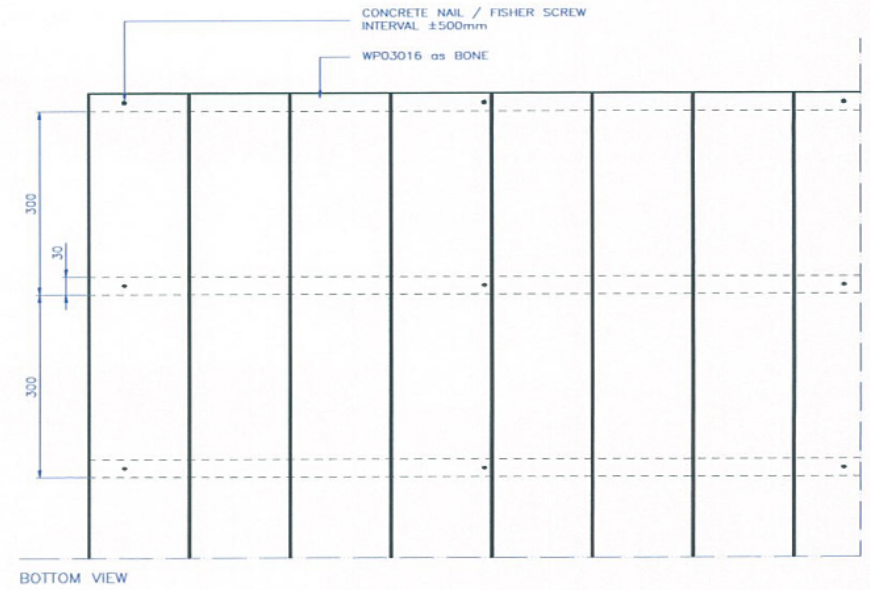
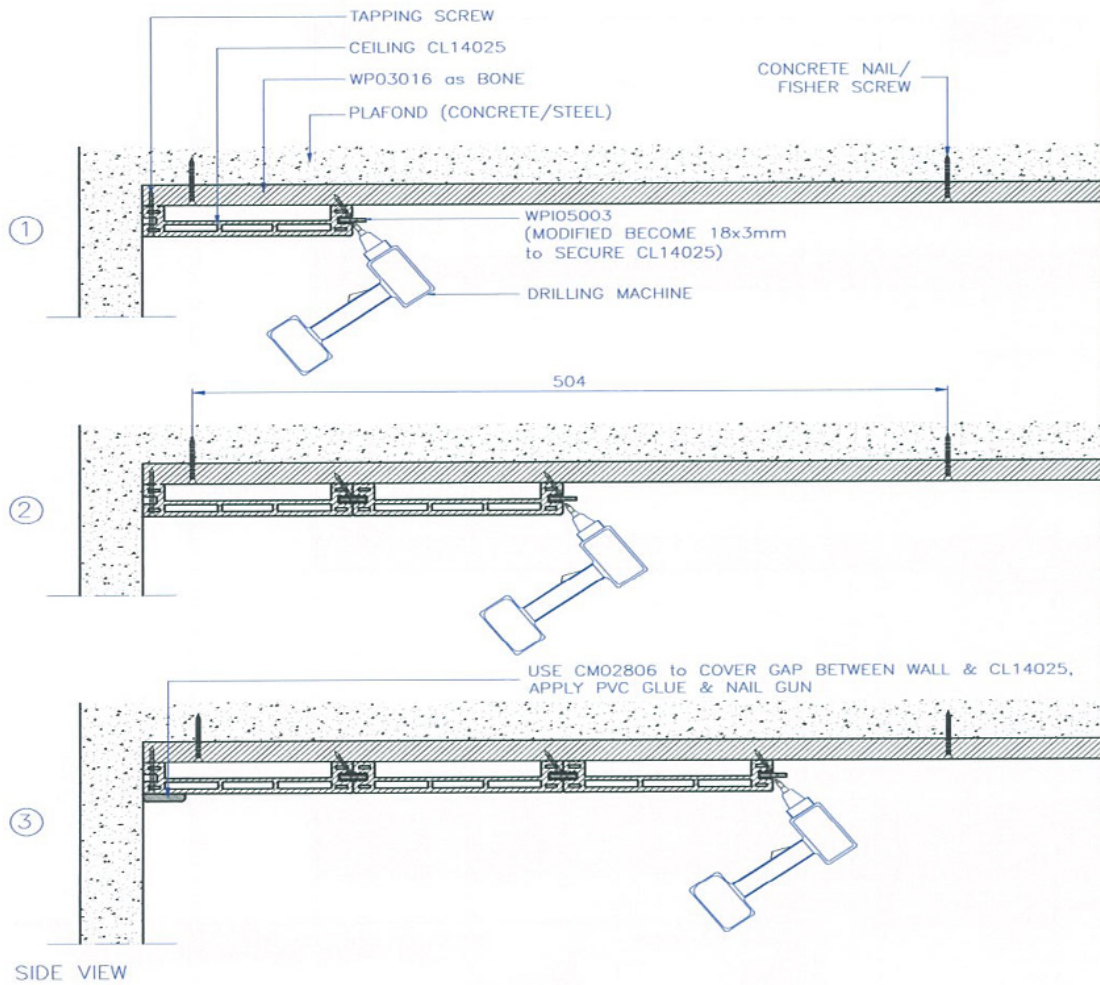
UNIT: MM	PROJECTION THIRD ANGLE	 PT. LATRADE BATAM INDONESIA	
DRAWN: IMANUEL	CLIENT: GRM	TITLE: CEILING 248x10 INSTALLATION	
DATE: 06/11/2015	NO OF CAVITY: -	MODEL: GUIDE on ECAFURING	
CHECKED:	EST.WT(KG): -	MAT'L: -	PART NO: -
DO NOT SCALE DWG	TYPE OF M/C: -	SHRINKAGE: -	SCALE NTS SHT OF


Drawing change without notice



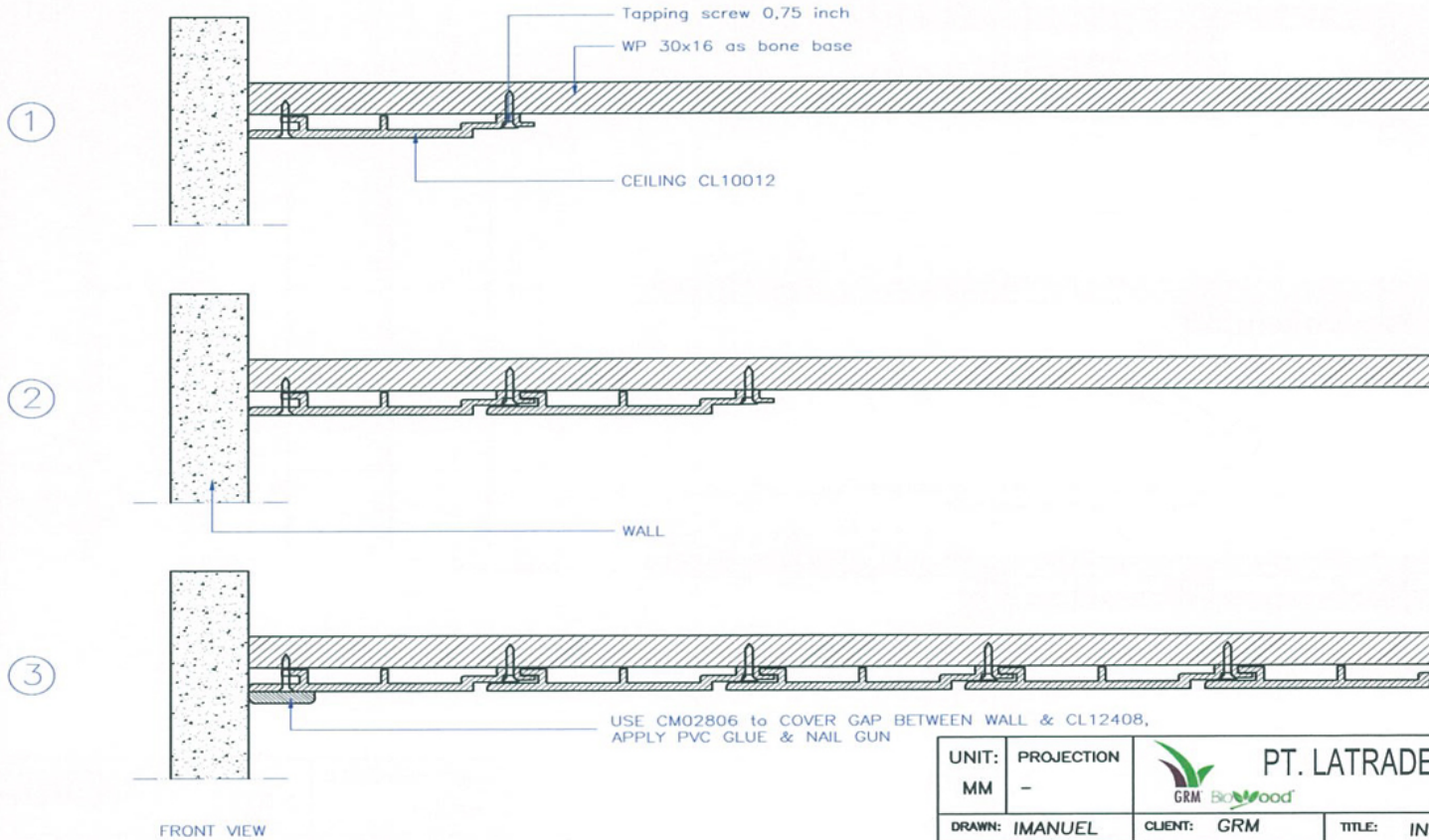
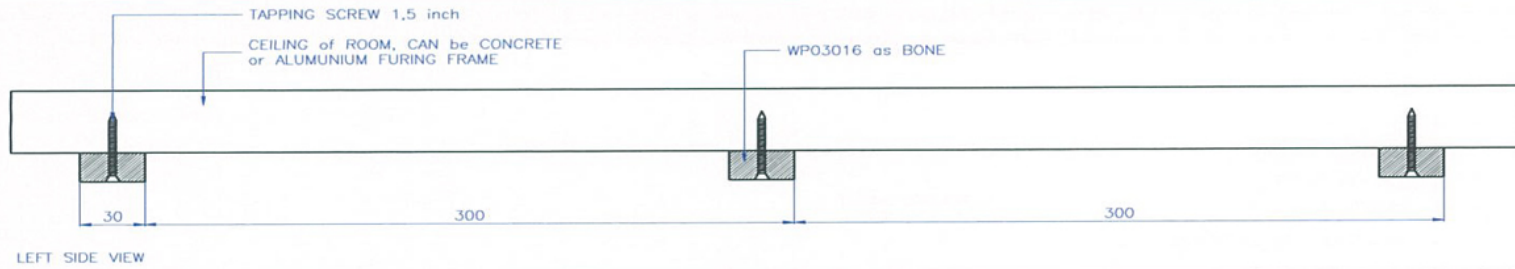
UNIT: MM	PROJECTION THIRD ANGLE	 PT. LATRADE BATAM INDONESIA			
DRAWN: IMANUEL	CLIENT: GRM	TITLE: CEILING 124x8		MODEL: INSTALLATION GUIDE	
DATE: 06/11/2015	NO OF CAVITY: -	MATERIAL: -		PART NO: -	
CHECKED:	EST.WT(KG): -	SHRINKAGE: -		SCALE NTS	
DO NOT SCALE DWG	TYPE OF M/C: -			SHT OF	


Drawing change without notice



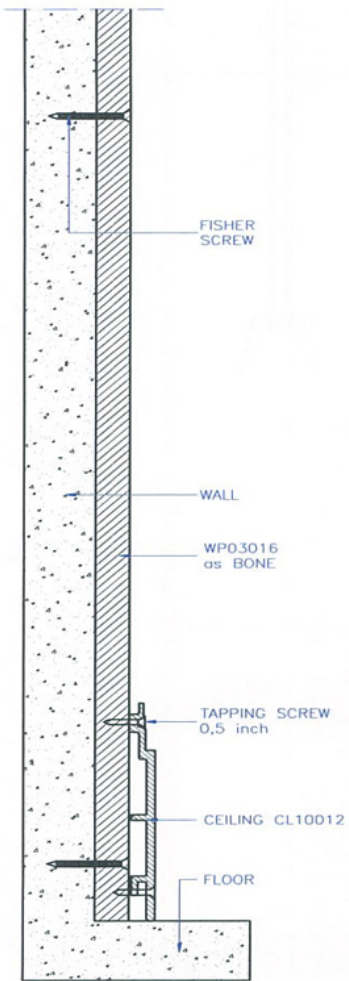
UNIT: MM	PROJECTION -	 PT. LATRADE BATAM INDONESIA			
DRAWN: IMANUEL	CLIENT: GRM	TITLE: CEILING 140X25 INSTALLATION GUIDE			
DATE: 06/11/2015	NO OF CAVITY: -	MATERIAL: -		PART NO: -	
CHECKED:	EST.WT(KG): -	SHRINKAGE: -		SCALE NTS	SHT OF
DO NOT SCALE DWG	TYPE OF M/C: -				

Drawing change without notice



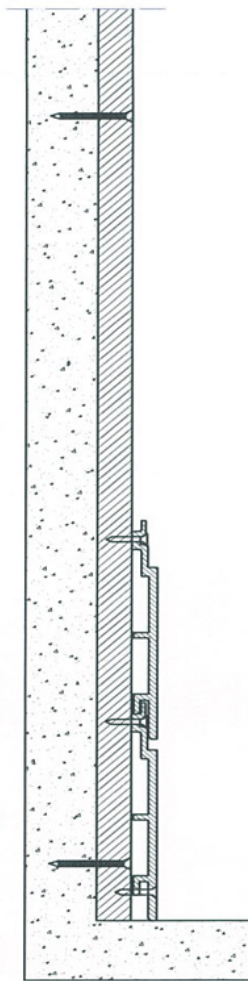
UNIT: MM	PROJECTION -	 PT. LATRADE BATAM INDONESIA	
DRAWN: IMANUEL	CLIENT: GRM	TITLE: INSTALLATION GUIDE of	
DATE: 06/11/2015	NO OF CAVITY: -	CODE: CEILING 100x12	
CHECKED:	EST.WT(KG): -	MAT'L: -	PART NO: -
DO NOT SCALE DWG	TYPE OF M/C: -	SHRINKAGE: -	SCALE NTS SHIT OF

Drawing change without notice

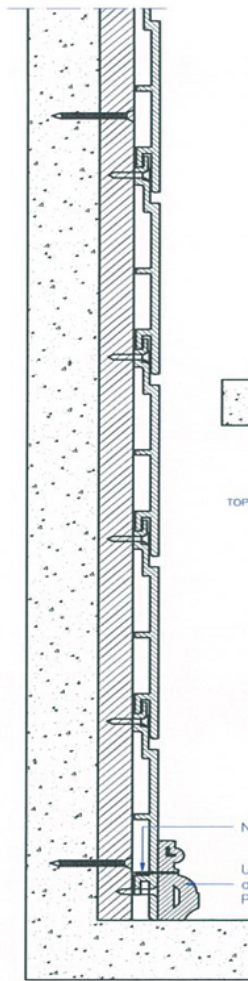


FRONT VIEW

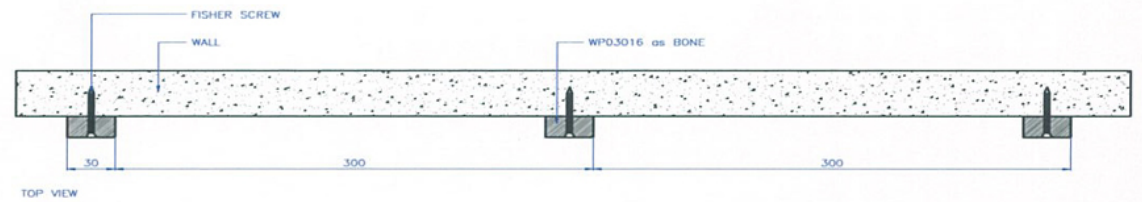
①




②



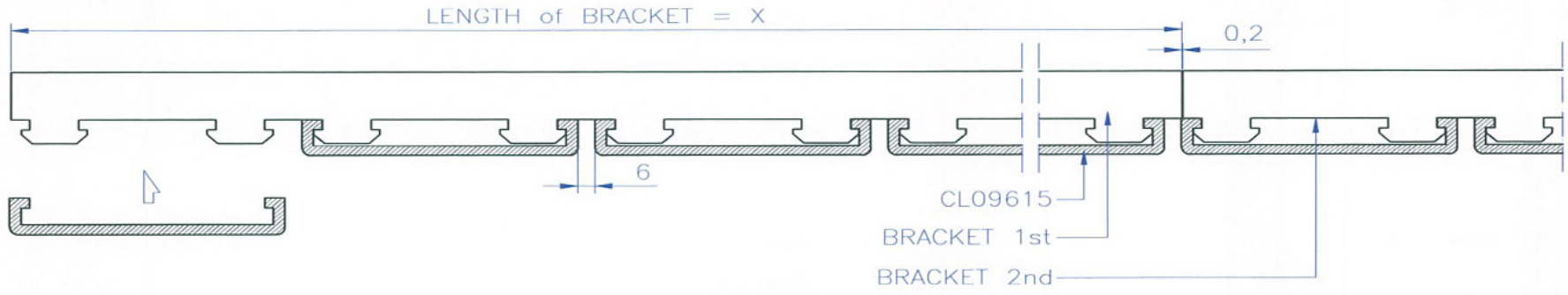
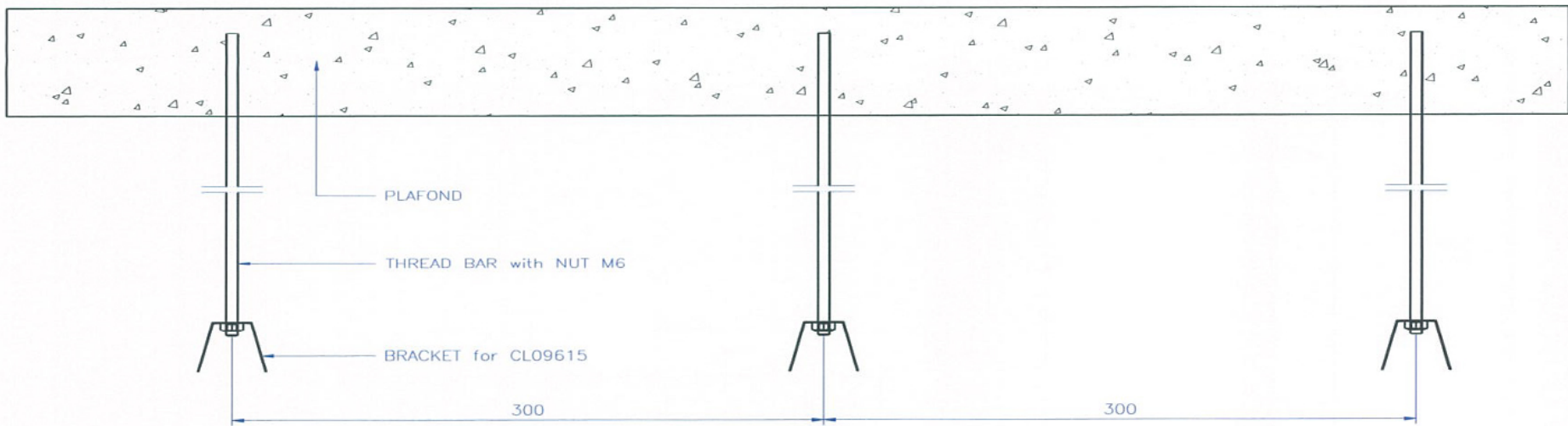
③




TOP VIEW

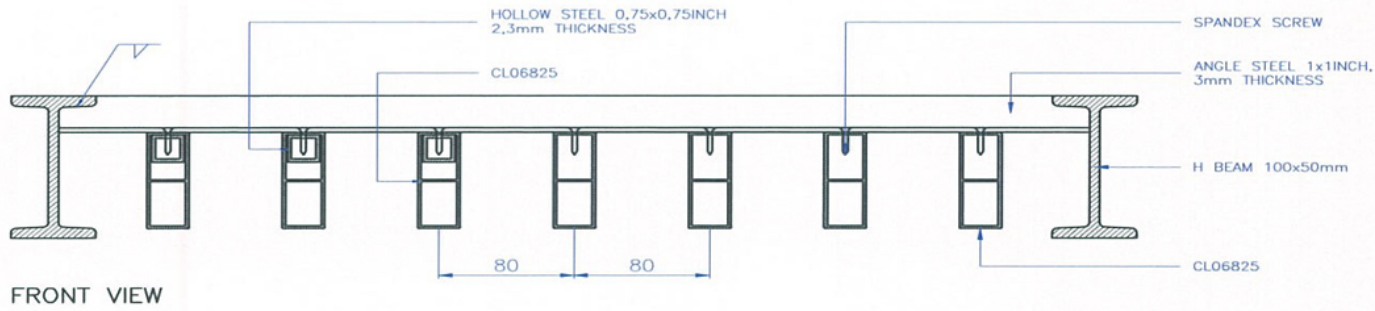
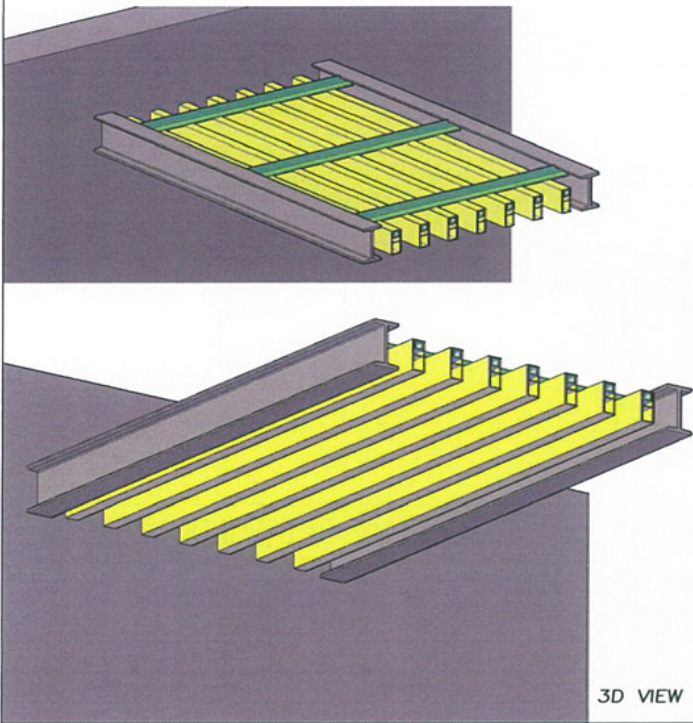
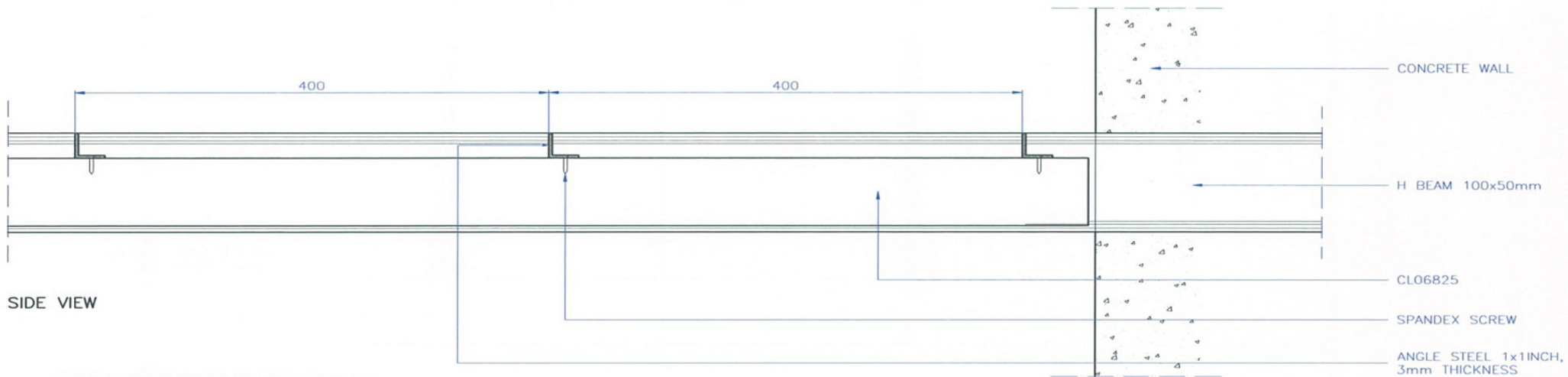
UNIT: MM	PROJECTION -	 PT. LATRADE BATAM INDONESIA			
DRAWN: IMANUEL	CLIENT: GRM	TITLE: INSTALLATION GUIDE of			
DATE: 06/11/2015	NO OF CAVITY: -	CODE: CEILING 100x12 as WALL			
CHECKED:	EST.WT(KG): -	MAT'L: -	PART NO: -		
DO NOT SCALE DWG	TYPE OF M/C: -	SHRINKAGE: -	SCALE NTS	SHT OF	


Drawing change without notice



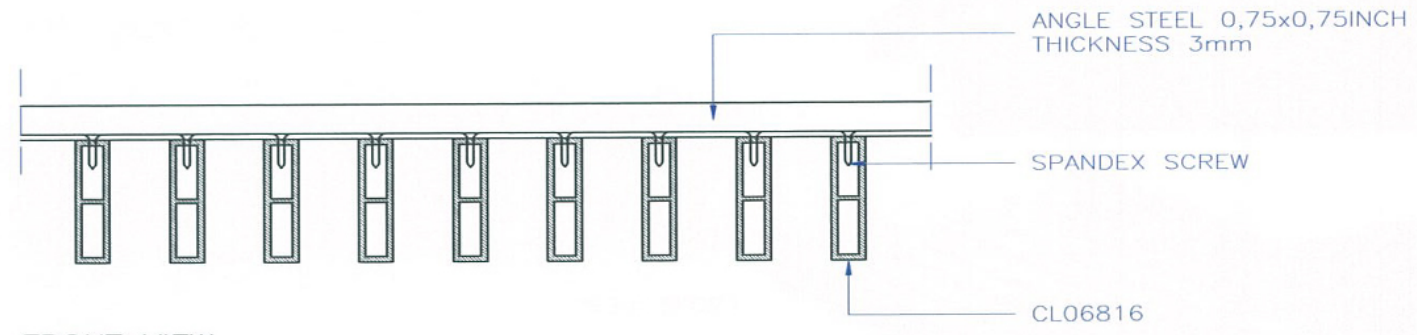
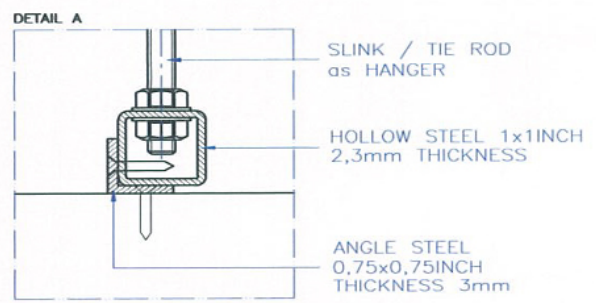
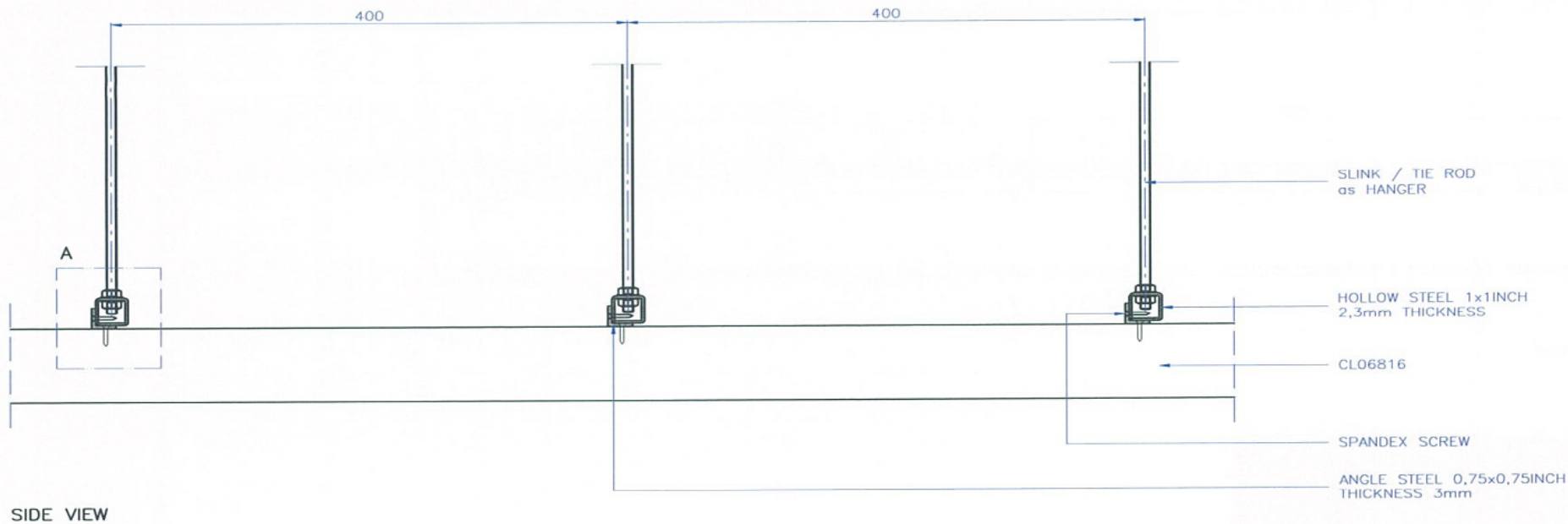
UNIT: MM	PROJECTION -	 PT. LATRADE BATAM INDONESIA	TITLE: <i>INSTALLATION GUIDE of</i>	
DRAWN: RIFALDI	CLIENT: GRM		CODE: <i>CEILING 96x15</i>	
DATE: 16/01/2016	NO OF CAVITY: -	EST.WT(KG): -	MAT'L: -	PART NO: -
CHECKED:	TYPE OF M/C: -	SHRINKAGE: -	SCALE NTS	SHT OF


Drawing change without notice



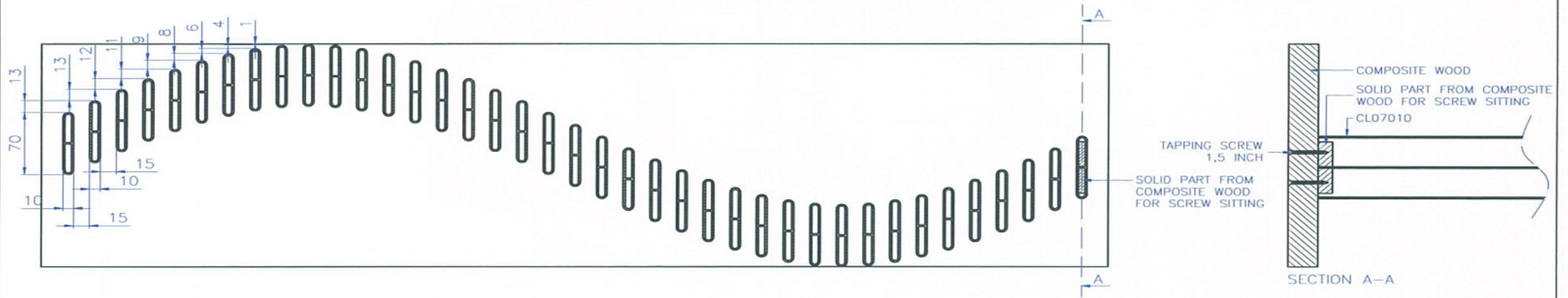
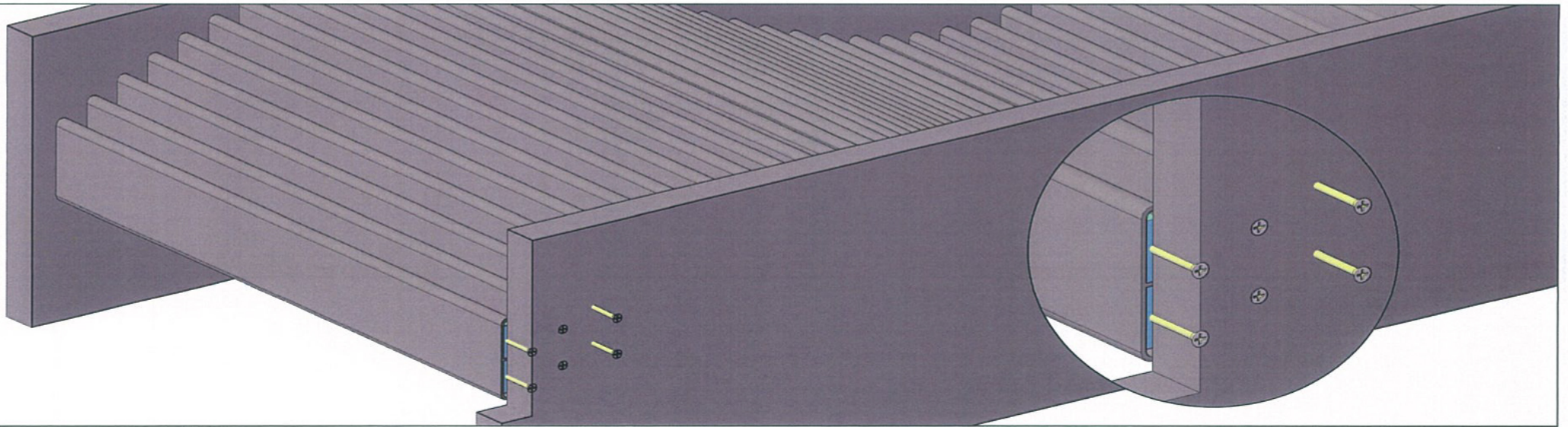
UNIT: MM	PROJECTION -	 PT. LATRADE BATAM INDONESIA	
DRAWN: RIFALDI	CLIENT: GRM	TITLE: INSTALLATION GUIDE of	
DATE: 16/01/2016	NO OF CAVITY: -	CODE: CEILING 68x25	
CHECKED:	EST.WT(KG): -	MAT'L: -	PART NO: -
DO NOT SCALE DWG	TYPE OF M/C: -	SHRINKAGE: -	SCALE NTS SHT OF


Drawing change without notice



UNIT: MM	PROJECTION -	 PT. LATRADE BATAM INDONESIA			
DRAWN: RIFALDI	CLIENT: GRM	TITLE: INSTALLATION GUIDE of		PART NO: -	
DATE: 16/01/2016	NO OF CAVITY: -	CODE: CEILING 68x16		SCALE NTS	
CHECKED:	EST.WT(KG): -	MAT'L: -		SHRINKAGE: -	
DO NOT SCALE DWG	TYPE OF M/C: -	SHRINKAGE: -		SHT OF	

Drawing change without notice



UNIT: MM	PROJECTION THIRD ANGLE	 PT. LATRADE BATAM INDONESIA	
DRAWN: IMANUEL	CLIENT: GRM	TITLE: CEILING 70x10	
DATE: 06/11/2015	NO OF CAVITY: -	MODEL: INSTALLATION GUIDE	
CHECKED:	EST.WT(KG): -	MAT'L: -	PART NO: -
DO NOT SCALE DWG	TYPE OF M/C: -	SHRINKAGE: -	SCALE NTS SHT OF

Drawing change without notice